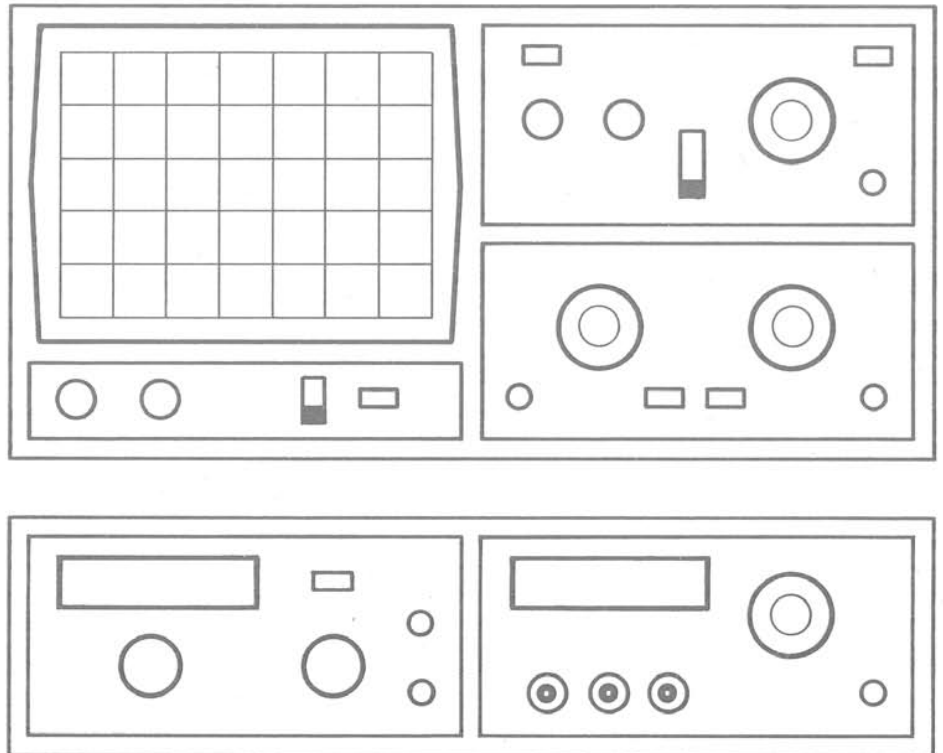


HAMEG

Instruments

MANUAL

Oscilloscope HM 205-3



Oscilloscope datasheet with technical details P 1

Operating Instructions

General Information M 1
 Use of tilt handle M 1
 Safety M 1
 Operating conditions M 2
 Guarantee M 2
 Maintenance M 2
 Switching over the mains/line voltage M 2
 Type of the signal voltage M 3
 Amplitude Measurement M 3
 Reference Line M 4
 Time Measurements M 4
 Connection of Test Signal M 6
 First Time Operation M 7
 Trace Rotation M 8
 Probe compensation and use M 8
 1 kHz compensation M 8
 1 MHz compensation M 8
 Operating modes of the vertical amplifiers M 8
 X-Y Operation M 9
 Phase difference measurement in DUAL mode M10
 Measurement of an amplitude modulation M10
 Triggering and time base M11
 Automatic Triggering M11
 Normal Triggering M11
 Slope M11
 Trigger coupling M12
 Alternate Triggering M12
 Line Triggering M12
 Triggering of video signals M12
 External Triggering M13
 Trigger Indicator M13
 Holdoff-time adjustment M13
 Component Tester M14
 Y Output M16
 Test patterns M17

Storage Operation

Front-panel controls M18
 Storage resolution and operating modes M18
 Single channel display M19
 Dual-trace mode M20
 Display of sums and differences M20
 Reference line display M20
 Horizontal deflection of low-frequency signals M20
 HAMEG interface M21
 Safety note M22

Short instruction

Front panel elements K 1,
 Folder with front view K 2

Test Instructions

General T 1
 Cathode-Ray Tube: Brightness and Focus,
 Linearity, Raster Distortions T 1
 Astigmatism Check T 1
 Symmetry and Drift of the Vertical Amplifier T 1
 Calibration of the Vertical Amplifier T 1
 Transmission Performance (Vertical Amplifier) T 2
 Operating Modes: CH I/II, DUAL, ADD, CHOP.,
 INVERT and X-Y Operation T 2
 Triggering Checks T 3
 Timebase T 3
 Component Tester T 4
 Y-Output T 4
 Trace Alignment T 4
 Mains/Line Voltage Checks T 4

Important!

Please be sure to read the safety information on pages M1 and M22 before using this oscilloscope!

**Oscilloscope
 HM 205-3**

Service Instructions

General S 1
 Instrument Case Removal S 1
 Operating Voltages S 1
 Maximum and Minimum Brightness S 1
 Astigmatism control S 2
 Trigger Threshold S 2
 Trouble-Shooting the Instrument S 2
 Replacement of Components and Parts S 3
 Replacement of the Power Transformer S 3

Circuit Diagrams

Y Input, Attenuator,
 Preamplifier Channel I and Channel II D 1
 Y Intermediate Amplifiers Ch I/Ch II, Channel Selection,
 Trigger Amplifier, Component Tester D 2
 Y Final Amplifier D 3
 Timebase (analogous) D 4
 Trigger Circuit, TV Sync Separator D 5
 X Final Amplifier D 6
 CRT Circuit, Unblanking, HV Supply D 7
 Power Supply, Calibrator D 8
 Operating Controls (Storage, Hold Off, X Pos.) D 9
 Block Diagram, Digital Circuit D10
 Reference Voltage D11
 Timebase (digital) D12
 D/A Converter (X) D13
 Analog Input D14
 D/A Converter (Y) D15
 RAM and Address Control D16
 A/D Converter D17
 RAM D18
 HAMEG Bus Interface D19

Component Locations

XY Board D21
 TB Board D22
 Z Board, FC Board D23
 DIG Board D24

Adjusting Plan

EY, XY A 1
 TB, Z, DIG A 2

Specification

Vertical Deflection

Operating modes: Channel I or Channel II separate, Channel I and II: alternate or chopped (chopper frequency approx. 0.5 MHz)
Sum or difference from Ch. I and Ch. II, (channel II invertable).
XY-Mode: via Channel I and Channel II (analog).
Frequency range: 2x DC to 20 MHz (-3 dB).
 Risettime: approx. 17.5 ns. Overshoot: $\leq 1\%$.
Deflection coefficients: 10 calibrated steps from 5 mV/div to 5 V/div in 1-2-5 sequence, Accuracy in calibrated position: $\pm 3\%$, variable 2.5:1 to max. **12.5 V/div**.
Y-magnification x5 (calibrated) to **1 mV/div $\pm 5\%$** (frequency range DC to 3.5 MHz, -3 dB)
Input impedance: 1 M Ω || 25 pF.
 Input coupling: DC - AC - GD (Ground)
 Input voltage: max. 400 V (DC + peak AC).
Y output from Ch. I or Ch. II: ≈ 40 mV/div into 50 Ω .

Triggering

With **Automatic** from 10 Hz - 40 MHz, (0.5 div. height) normal with level control from **DC - 40 MHz**.
 Slope: positive or negative.
ALT. triggering, LED indication on triggering.
 Source: Ch. I, Ch. II, line, external.
 Coupling: **AC** (≥ 10 Hz - 10 MHz), **DC** (0 - 10 MHz), **LF** (0 - ≤ 1 kHz), **HF** (≥ 1.5 kHz - 40 MHz).
Trigger level external ≥ 0.3 V / 1 M Ω || 25 pF.
Active TV-Sync-Separator for line and frame.

Horizontal Deflection

Time coefficients (realtime): 21 calibr. steps from 0.2 μ s/div to 1 s/div in 1-2-5 sequence. Accuracy in calibrated position: $\pm 3\%$, variable 2.5:1 to max. 2.5 s/div, with **X-expansion x10** ($\pm 5\%$) to **20 ns/div $\pm 5\%$** .
Holdoff-time: variable up to approx. 10:1.
Time coefficients (storage): 18 calibr. steps from 10 μ s/div to 5 s/div in 1-2-5 sequence, with **X-expansion x10** ($\pm 5\%$) to ≈ 1 μ s/div.
Bandwidth X-amplifier: DC - 2.5 MHz (-3 dB).
 Input X-amplifier via Channel II,
 Sensitivity see Channel II.
X-Y-phase shift: $< 3^\circ$ below 120 kHz.

Digital Storage

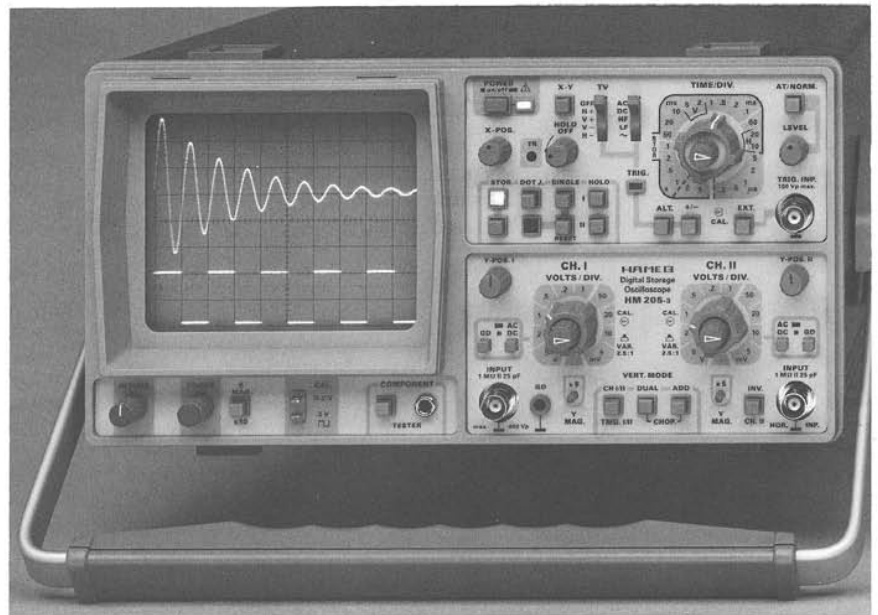
Operating modes: Refresh and Single (with reset button and ready-LED), Hold CH I, Ch II, **Dot Joiner**.
Sampling rate: max. **20 MHz** for each channel.
Memory size: 2048x8 bit for each channel.
 Resolution: vertical **28**, horizontal **200 samples/div**.
 X-expansion: x10 (X-resol.: 20 samples/div).
Analog/digital output for HAMEG Graphic Printer, and with optional interface for X-Y recorder.

Component Tester

Test voltage: max. 8.5 V_{rms} (open circuit).
Test current: max. 24 mA_{rms} (short circuit).
Test frequency: 50 or 60 Hz (line frequency).
 One test lead is grounded (Safety Earth).

General Information

CRT: D14-364 P43/123, **8x10 cm**, 2 kV, rectangular screen, internal graticule.
Trace rotation: adjustable on front panel.
Calibrator: square-wave 1 kHz for probe compensation. Output: 0.2 V a. 2 V $\pm 1\%$.
 Line voltages: 110, 125, 220, 240 V \sim , $\pm 10\%$.
 Max. ambient temperature: -10°C ... $+40^\circ\text{C}$.
Power consumption: ≈ 46 Watt, 50/60/400 Hz.
Protective system: Safety Class I (IEC 348).
 Weight: approx. 8 kg. Color: techno-brown.
 Cabinet: **W 285, H 145, D 380 mm**.
 Subject to change without notice



Digital Storage Oscilloscope

Analog: 2 Channels DC-20 MHz, max. 1 mV/div., Comp.-Tester
Timebase 1 s/div. - 20 ns/div., Trigger DC-40 MHz.

Digital: Max. sampling rate 2x20 MHz, Memory 2x 2048x8 bit,
Timebase 5 s - 1 μ s/div., Dot-Joiner.

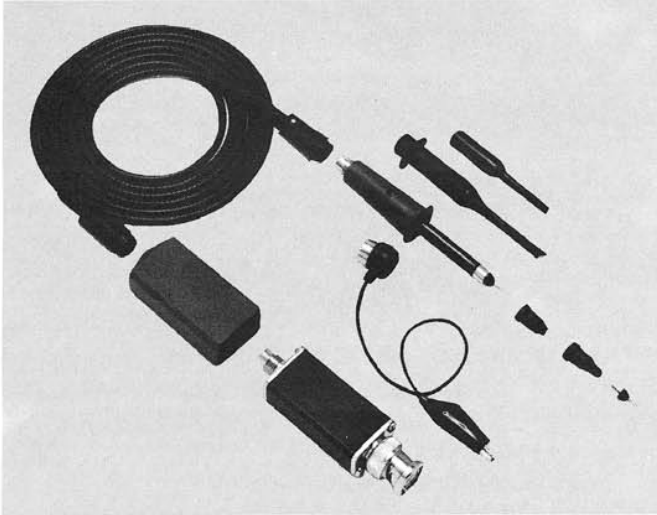
Now with a max. **sampling rate of 20 MHz** and an improved **storage depth of 2048 x 8 bits** per channel, the new **HM 205-3** has achieved a truly unique standard of performance. Compared to its predecessor model, which was already the best-selling digital storage oscilloscope in Europe, the usable frequency range for stored signals has been increased four-fold. The **HM 205-3** is also indispensable for capture and display of long-term transients and extreme low-frequency signals (< 10 Hz) that are impossible to represent as a continuous, stable trace on conventional realtime oscilloscopes. By pressing the so called **"DOT JOIN"** button, **linear interpolation** is used to connect the sampled points in memory and achieve good waveform recognition even at 10x magnification.

The storage functions are exceedingly easy to operate. Simply press the **"STORE"** button to capture, digitize and store the signals subsequently arriving at the scope input. In **"refresh" mode** the memory contents are updated with every sweep. One-time non-recurring signals can be captured in **"single" mode**. If, after data capture, the **"HOLD"** button is pressed, the memory contents are **"frozen"**. If the scope is equipped with an optional interface, these can then be output on the **HAMEG Graphics Printer HM 8148-2** or an X-Y recorder (e.g. HAMEG optional accessory **HO 75** in this catalog). An **IEEE-488** bus is available, as well as an extensive selection of software, for processing of data on **IBM-ATs, -XTs** or compatibles (see options **HO 79-2** and **SP 91**). Even with frequent mode changes, the most recently captured waveforms remain stored in memory until the instrument is powered down.

The **HM 205-3** is also **generously equipped** for **analog** applications. Its outstanding attributes here include: excellent transient response up to 20 MHz, trigger bandwidth of at least 40 MHz, built-in component tester with single-button operation, variable **"hold-off"** period, and an **active TV sync separator**. Particularly when your job requires frequent switches between realtime and sampling modes, the superb efficiency and practicality of the new **HM 205-3** really pay off.

Accessories supplied

Two 10:1 probes, Line cord, Operators Manual.



Modular Probes

The clear advantage over ordinary probes are field replaceable parts and the HF-compensation feature on the 10:1 attenuator probes. For the first time, probes in this price range allow adjustments of their HF-characteristics to match individually the input impedance of each scope. This is particularly important for scopes with higher bandwidths (>50MHz), as otherwise strong overshoot or rounding may occur, when measuring fast-rising square waves. An exact HF-compensation, however, is only possible with square-wave generators having a risetime <5ns. Most HAMEG scopes already feature such a calibration generator. For other oscilloscopes, it is available as accessory item HZ60. At present the following Modular Probes are available:

Type	HZ50	HZ51	HZ52	HZ53	HZ54 selectable
Attenuation Ratio	1:1	10:1	10:1 (HF)	100:1	1:1 / 10:1
Bandwidth min. (MHz)	30	150	250	150	10 / 150
Risetime (ns)	11	<2	<1.4	<2	35/<2
Inp. Capacitance (pF)	45	16	16	6,5	40/18
Inp. Resistance (MΩ)	1	10	10	100	1/10
Inp. Voltage max. (V _p)	600	600	600	1200	600
Cable Length (m)	1.2	1.2	1.5	1.5	1.2

Demodulator Probe

HZ55

Special probe for AM-demodulation and wobulator measurements. HF-Bandwidth 100kHz - 500MHz (±1dB). AC Input Voltage 250mV - 50V_{rms}. DC Isolation Voltage 200V DC including peak AC. Cable length 1.2m.

Conventional Probes

These popular standard probes are well suited for all oscilloscopes up to 20MHz bandwidth (HZ37 only with HF adjustment facility).

Typ	HZ30	HZ35	HZ36 selectable	HZ37 selectable	HZ39 selectable
Attenuation Ratio	10:1	1:1	1:1 / 10:1	1:1 / 10:1	1000:1
Bandwidth min. (MHz)	100	10	10 / 100	10 / 150	1
Risetime (ns)	3.5	35	35 / 3.5	20 / 3.2	50
Inp. Capacitance (pF)	13	47	47/13	44/13	3
Inp. Resistance (MΩ)	10	1	1/10	1/10	500
Outp. Resistance (MΩ)	1	1	1	1	1/10
Inp. Voltage (max. V _p)	600	600	600	600	15000
Cable Length (m)	1.5	1.5	1.5	1.2	1.5

Test Cable Banana—BNC

HZ32

Coaxial test cable; length 1.15 m, characteristic impedance 50Ω. Cable capacitance 120pF. Input voltage max. 500V_p.

Test Cable BNC—BNC

HZ34

Coaxial test cable; length 1.2m, characteristic impedance 50Ω. Cable capacitance 126pF. Input voltage max. 500V_p.

Adapter Banana—BNC

HZ20

Two 4mm binding posts (19mm between centers) to standard BNC male plug. Input voltage max. 500V_p.

50Ω Through-Termination

HZ22

For terminating systems with 50Ω characteristic impedance. Maximum load 2W. Max. voltage 10V_{rms}.

Carrying Cases

For HM203-1 and HM203-3	HZ42
For HM312, HM412, HM512 and HM705	HZ43
For HM307, HZ62 and HZ64	HZ44
For HM103	HZ45
For HM203-4, HM203-5, HM203-6, HM204, HM204-2, HM205, HM208 and HM605	HZ46

Viewing Hood

HZ47

For HM203, HM204, HM205, HM208, HM605, HM705, HM808 and HM312, HM412, HM512, HM812

Scope-Tester

HZ60

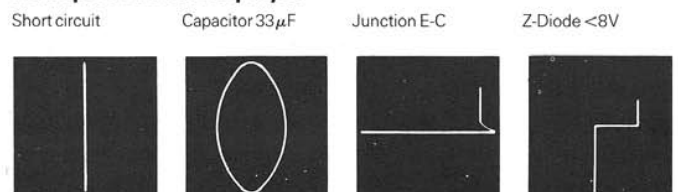
For Checking the Y amplifier, timebase, and compensation of all probes, the HZ60 is a crystal-controlled, fast rising (typ. 3ns) square-wave generator with switchable frequencies of 1, 10, 100kHz, and 1MHz. Three BNC outputs provide signals of 25mV_{pp} into 50Ω, 0.25V_{pp} and 2.5V_{pp} (open circuit for 10x and 100x probes); accuracy ±1%. Battery-powered or AC supply operated (optional).

Component-Tester

HZ65

Indispensable for trouble-shooting in electronic circuits. Single component and in-circuit tests are both possible. The HZ65 operates with all scopes, which can be switched to X-Y operation (ext. horizontal deflection). Non-destructive tests can be carried out on almost all semiconductors, resistors, capacitors, and coils. Two sockets provide for quick testing of the 3 junction areas in any small power transistor. Other components are connected by using 2 banana jacks. Test leads supplied.

Examples of Test Displays:



Operating Instructions

General Information

The HM205-3 is the combination of an analog (real time) 20MHz oscilloscope with a digital storage oscilloscope for slow-speed phenomena.

This oscilloscope is easy to operate. The logical arrangement of the controls allows anyone to become familiar with the operation of the instrument after a short time, however, experienced users are also advised to read through these instructions so that all functions are understood.

Immediately after unpacking, the instrument should be checked for mechanical damage and loose parts in the interior. If there is transport damage, the supplier must be informed immediately. The instrument must then not be put into operation.

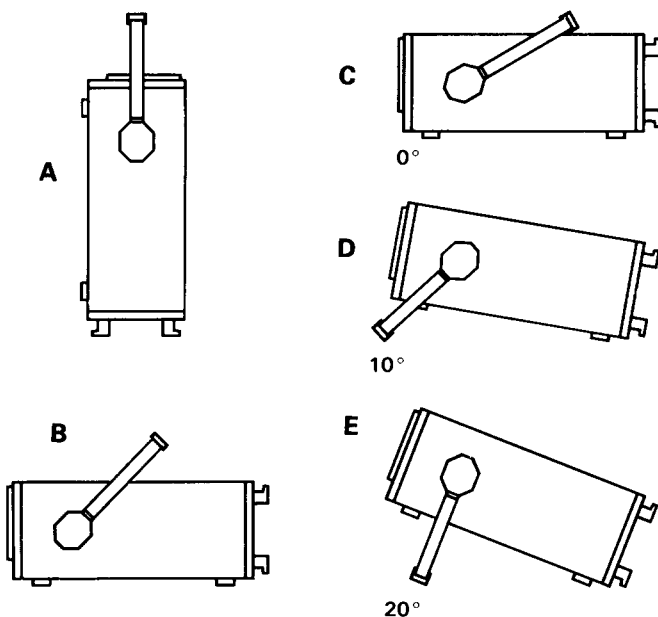
Check that the instrument is set to the correct mains/line voltage. If not, refer to instructions on page M2.

Use of tilt handle

To view the screen from the best angle, there are three different positions (C, D, E) for setting up the instrument. If the instrument is set down on the floor after being carried, the handle remains automatically in the upright carrying position (A).

In order to place the instrument onto a horizontal surface, the handle should be turned to the upper side of the oscilloscope (C). For the D position (10° inclination), the handle should be turned in the opposite direction out of the carrying position until it locks in place automatically underneath the instrument. For the E position (20° inclination), the handle should be pulled to release it from the D position and swing backwards until it locks once more.

The handle may also be set to a position for horizontal carrying by turning it to the upper side to lock in the B position. At the same time, the instrument must be moved upwards, because otherwise the handle will jump back.



Safety

Attention!

The following safety information applies only if the interface on the rear panel of the oscilloscope is not used. **Prior to using the interface, the additional safety information on page M 22 must be read and observed.**

This instrument has been designed and tested in accordance with **IEC Publication 348, Safety Requirements for Electronic Measuring Apparatus**, and has left the factory in a safe condition. The present instruction manual contains important information and warnings which have to be followed by the user to ensure safe operation and to retain the oscilloscope in safe condition. The **case, chassis and all measuring terminals are connected to the protective earth contact of the appliance inlet**. The instrument operates according to **Safety Class I** (three-conductor power cord with protective earthing conductor and a plug with earthing contact). The mains/line plug shall only be inserted in a socket outlet provided with a protective earth contact. The protective action must not be negated by the use of an extension cord without a protective conductor.

The mains/line plug should be inserted before connections are made to measuring circuits.

The grounded accessible metal parts (case, sockets, jacks) and the mains/line supply contacts (line, neutral) of the instrument have been tested against insulation breakdown with **2000 Vr.m.s. (50Hz)**.

Under certain conditions, 50Hz or 60Hz hum voltages can occur in the measuring circuit due to the interconnection with other mains/line powered equipment or instruments. This can be avoided by using an isolation transformer (Safety Class II) between the mains/line outlet and the power plug of the instrument. **If a safety isolating transformer is used for recording of signals with a high zero potential, it should be kept in mind that this voltage is then also present in the enclosure and other accessible metal parts of the oscilloscope. Voltages up to 42V are not hazardous. Voltages higher than this can be dangerous or even lethal, however. Special safety precautions are required in these cases, and must be supervised by qualified personnel.**

Most cathode-ray tubes develop X-rays. However, **the dose equivalent rate falls far below the maximum permissible value of 36pA/kg (0.5mR/h).**

Whenever it is likely that protection has been impaired, the instrument shall be made inoperative and be secured against any unintended operation. The protection is likely to be impaired if, for example, the instrument

- shows visible damage,
- fails to perform the intended measurements,
- has been subjected to prolonged storage under unfavourable conditions (e.g. in the open or in moist environments),
- has been subject to severe transport stress (e.g. in poor packaging).

Operating conditions

The instrument has been designed for indoor use.

The permissible ambient temperature range during operation is +10°C ... +40°C. It may occasionally be subjected to temperatures between +10°C and -10°C without degrading its safety. The permissible ambient temperature range for storage or transportation is -40°C ... +70°C.

The maximum operating altitude is up to 2200m (non-operating 15000m). The maximum relative humidity is up to 80%.

If condensed water exists in the instrument it should be acclimatized before switching on. In some cases (e.g. extremely cold oscilloscope) two hours should be allowed before the instrument is put into operation. The instrument should be kept in a clean and dry room and must not be operated in explosive, corrosive, dusty, or moist environments. The oscilloscope can be operated in any position, but the convection cooling must not be impaired. **The ventilation holes may not be covered.** For continuous operation the instrument should be used in the horizontal position, preferably tilted upwards, resting on the tilt handle.

The specifications stating tolerances are only valid if the instrument has warmed up for 30 minutes at an ambient temperature between +15°C and +30°C. Values not stating tolerances are typical for an average instrument.

Guarantee

Each instrument runs through a quality test with 10 hour burn-in before leaving the production. Practically every early failure is detected in intermittent operation by this method. However, it is possible that a component fails only after a lengthy operating period. Therefore a **functional guarantee of 2 years** is given for all units. The condition for this is that no modifications have been made in the instrument. In the case of shipments by post, rail or carrier it is recommended that the original packing is carefully preserved. Transport damages and damage due to gross negligence are not covered by the guarantee.

In the case of a complaint, a label should be attached to the housing of the instrument which describes briefly the faults observed. If at the same time the name and telephone number (dialing code and telephone or direct number or department designation) is stated for possible queries, this helps towards speeding up the processing of guarantee claims.

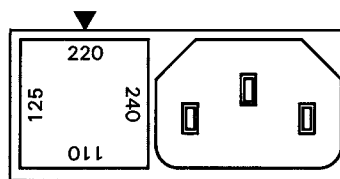
Maintenance

Various important properties of the oscilloscope should be carefully checked at certain intervals. Only in this way is it largely certain that all signals are displayed with the accuracy on which the technical data are based. The test methods described in the test plan of this manual can be performed without great expenditure on measuring instruments. However, purchase of the new HAMEG **SCOPE TESTER HZ 60**, which despite its low price is highly suitable for tasks of this type, is very much recommended.

The exterior of the oscilloscope should be cleaned regularly with a dusting brush. Dirt which is difficult to remove on the casing and handle, the plastic and aluminium parts, can be removed with a moistened cloth (99% water +1% mild detergent). Spirit or washing benzine (petroleum ether) can be used to remove greasy dirt. The screen may be cleaned with water or washing benzine (but not with spirit (alcohol) or solvents), it must then be wiped with a dry clean lint-free cloth. Under no circumstances may the cleaning fluid get into the instrument. The use of other cleaning agents can attack the plastic and paint surfaces.

Switching over the mains/line voltage

The instrument is set for 220 V line voltage on delivery. It can be switched over to other voltages at the fuse holder combined with the 3-pole appliance inlet at the rear of the instrument. Firstly the fuse holder printed with the voltage values is removed using a small screw driver and - if required - provided with another fuse. Refer to the table below for the prescribed value of the fuse. Then replace the fuse holder so that the impressed white triangle points to the desired voltage. Here pay attention that the cover plate is also correctly engaged. The use of repaired fuses or short circuiting the fuse holder is not allowed. Damage arising because of this is not covered by the guarantee.



Fuse type: Size **5 x 20 mm**; 250 V~, C; IEC 127, Sheet III; DIN 41 662 (possibly DIN 41 571 sheet 3).

Cutoff: **time lag (T)**.

Line voltage	Fuse rating
110 V ~ ±10%	T0.63 A
125 V ~ ±10%	T0.63 A
220 V ~ ±10%	T0.315 A
240 V ~ ±10%	T0.315 A

Type of the signal voltage

With the HM 205-3, practically all periodically repeating signals with the frequency spectrum below 20 MHz can be examined in the **analog real time mode**. (Because of the limited scanning rate, other limits which are further influenced by signal shape and screen amplitude apply in the digital storage mode.) The display of simple electrical processes, such as sinusoidal RF and LF signals or line frequency hum voltages is straightforward. When recording square-wave or pulse-type signal voltages, it must be noted that their **harmonics** must also be transmitted. The repetition frequency of the signal must therefore be significantly smaller than the upper limit frequency of the vertical amplifier. Accurate evaluation of such signals is only possible up to approximately 2 MHz repetition frequency. Displaying composite signals can be difficult, especially if they contain no repetitive higher amplitude content which can be used for triggering. This is the case with bursts, for instance. To obtain a well-triggered display in this case, the assistance of the variable holdoff and/or variable time control may be required. **Television video signals** are relatively easy to trigger using the built-in **TV-Sync-Separator** with correct setting of the sync pulse position.

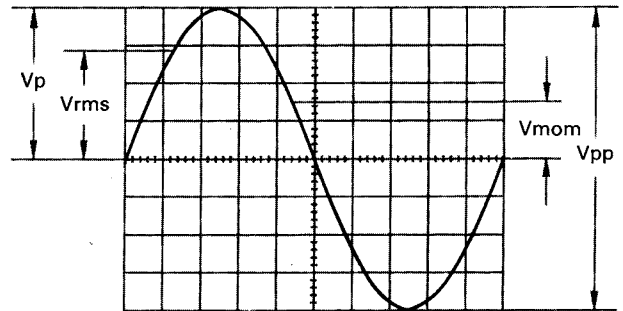
For optional operation as a DC or AC voltage amplifier, the vertical amplifier input is provided with a **DC/AC** switch. The **DC** position should only be used with a series-connected attenuator probe or at very low frequencies or if the measurement of the DC voltage content of the signal is absolutely necessary.

When displaying very low frequency pulses, the flat tops may be sloping with **AC** coupling of the vertical amplifier (**AC** limit frequency approx. 1.6 Hz for -3dB). In this case, **DC** operation is preferred, provided the signal voltage is not superimposed on a too high DC level. Otherwise a capacitor of adequate capacitance must be connected to the input of the vertical amplifier with DC coupling. This capacitor must have a sufficiently high breakdown voltage rating. **DC** coupling is also recommended for the display of logic and pulse signals, especially if the pulse duty factor changes continuously. Otherwise the display will move upwards or downwards at each change. Pure direct voltages can only be measured with **DC** coupling.

Amplitude Measurements

In general electrical engineering, alternating voltage data normally refers to effective values (rms = root-mean-square value). However, for signal magnitudes and voltage designations in oscilloscope measurements, the peak-to-peak voltage (V_{pp}) value is applied. The latter corresponds to the real potential difference between the most positive and most negative points of a signal waveform.

If a sinusoidal waveform, displayed on the oscilloscope screen, is to be converted into an effective (rms) value, the resulting peak-to-peak value must be divided by $2 \times \sqrt{2} = 2.83$. Conversely, it should be observed that sinusoidal voltages indicated in V_{rms} (V_{eff}) have 2.83 times the potential difference in V_{pp} . The relationship between the different voltage magnitudes can be seen from the following figure.



Voltage values of a sine curve

V_{rms} = effective value; V_p = simple peak or crest value;
 V_{pp} = peak-to-peak value; V_{mom} = momentary value.

The minimum signal voltage which must be applied to the Y input for a trace of 1 div. height is $1mV_{pp}$ when the **Y MAG.x5** pushbutton is depressed, the **VOLTS/DIV.** switch is set to **5mV/div.**, and the vernier is set to **CAL** by turning the **fine adjustment knob** of the VOLTS/DIV. switch clockwise all the way. However, smaller signals than this may also be displayed. The **deflection coefficients** on the input attenuators are indicated in **mV/div.** or **V/div.** (peak-to-peak value).

The magnitude of the applied voltage is ascertained by multiplying the selected deflection coefficient by the vertical display height in div.

If an attenuator probe x10 is used, a further multiplication by a factor of 10 is required to ascertain the correct voltage value.

For exact amplitude measurements, the variable control on the attenuator switch must be set to its calibrated detent CAL. When turning the variable control ccw, the sensitivity will be reduced by a factor of 2.5. Therefore every intermediate value is possible within the 1-2-5 sequence.

With direct connection to the vertical input, **signals up to 100V_{pp}** may be displayed (attenuator set to **5V/div.**, variable control to right stop).

With the designations

H = display height in div.,

U = signal voltage in V_{pp} at the vertical input,

D = deflection coefficient in **V/div.** at attenuator switch, the required quantity can be calculated from the two given quantities:

$$U = D \cdot H$$

$$H = \frac{U}{D}$$

$$D = \frac{U}{H}$$

However, these three values are not freely selectable. They have to be within the following limits (trigger threshold, accuracy of reading):

H between 0.5 and 8 div., if possible 3.2 to 8 div.,

U between 1 mV_{pp} and 40 V_{pp},

D between 1 mV/div. and 5 V/div. in 1-2-5 sequence.

Examples:

Set deflection coefficient **D** = 50 mV/div. \cong 0.05 V/div.,

observed display height **H** = 4.6 div.,

required voltage U = 0.05 · 4.6 = **0.23 V_{pp}**.

Input voltage **U** = 5 V_{pp},

set deflection coefficient **D** = 1 V/div.,

required display height H = 5 : 1 = **5 div.**

Signal voltage $U = 220 V_{rms} \cdot 2 \cdot \sqrt{2} = 622 V_{pp}$

(voltage > 40 V_{pp}, with probe x100: **U** = 62.2 V_{pp}),

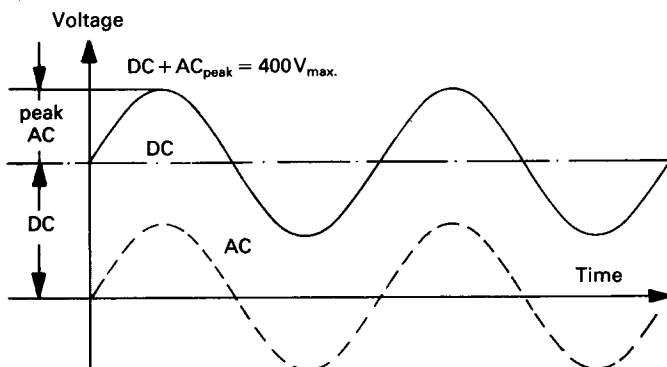
desired display height **H** = min. 3.2 div., max. 8 div.,

max. deflection coefficient **D** = 6.22 : 3.2 = 1.94 V/div.,

min. deflection coefficient **D** = 6.22 : 8 = 0.78 V/div.,

adjusted deflection coefficient D = **1 V/div.**

If the applied signal is superimposed on a DC (direct voltage) level the total value (DC + peak value of the alternating voltage) of the signal across the Y-input must not exceed ±400V (see figure). This same limit applies to normal x10 attenuator probes, the attenuation ratio of which allows signal voltages up to approximately 400 V_{pp} to be evaluated. Voltages of up to approximately 2,400 V_{pp} may be measured by using the HZ53 high voltage probe which has an attenuation ratio of 100:1. It should be noted that its AC_{peak} value is derated at higher frequencies. If a normal x10 probe is used to measure high voltages there is the risk that the compensation trimmer bridging the attenuator series resistor will break down causing damage to the input of the oscilloscope. However, if for example only the residual ripple of a high voltage is to be displayed on the oscilloscope, a normal x10 probe is sufficient. In this case, an appropriate high voltage capacitor (approx. 22-68 nF) must be connected in series with the input tip of the probe.



Total value of input voltage

The dotted line shows a voltage alternating at zero volt level. When superimposed a DC level, the addition of the positive peak and the DC voltage results in the max. voltage (DC + AC_{peak}).

It is very important that the oscilloscope input coupling is set to **DC**, if an attenuator probe is used for voltages higher than 400V (see page M6: Connection of Test Signal).

Reference Line

With **Y-POS.** control (input coupling to **GD**) it is possible to set a horizontal graticule line as **reference line for ground potential** before the measurement. It can lie below or above the horizontal central line according to whether positive and/or negative deviations from the ground potential are to be measured. Certain switchable x10/x1 attenuator probes also have a built-in ground reference switch position.

Time Measurements

As a rule, most signals to be displayed are periodically repeating processes, also called periods. The number of periods per second is the repetition frequency. Depending on the time base setting of the **TIME/DIV.** switch, one or several signal periods or only a part of a period can be displayed. The time coefficients are stated in **s/div.**, **ms/div.** and **μs/div.** on the **TIME/DIV.**-switch. The scale is accordingly divided into three fields.

There are 21 time coefficient ranges in the analog real time mode of the HM205-3, from **0.2 μs/div. to 1 s/div.** The ranges are overlapped with 18 time coefficient ranges of the storage mode, from **10 μs/div. to 5 s/div.** The storage ranges are outlined in black and marked with **STOR.**

With the pushbutton **STOR.** in the X-field, the HM205-3 may be switched over from real time to storage operation and vice versa. In each operating mode, the **TIME/DIV.** switch should be set correctly; if not, the **STOR.** LED immediately starts with blinking.

The duration of a signal period or a part of it is determined by multiplying the relevant time (horizontal distance in div.) by the time coefficient set on the TIME/DIV.-switch.

The variable time control (identified with an arrow knob cap) must be in its calibrated position CAL. (arrow pointing horizontally to the right). This variable control is inoperative in the storage mode.

With the designations

L = displayed wave **length in div.** of one period,

T = **time in seconds** for one period,

F = recurrence **frequency in Hz** of the signal,

T_c = **time coefficient in s/div.** on timebase switch and

the relation **F = 1/T**, the following equations can be stated:

$$T = L \cdot T_c \quad L = \frac{T}{T_c} \quad T_c = \frac{T}{L}$$

$$F = \frac{1}{L \cdot T_c} \quad L = \frac{1}{F \cdot T_c} \quad T_c = \frac{1}{L \cdot F}$$

With depressed X-MAG. x10 pushbutton the T_c value must be divided by 10.

However, these four values are not freely selectable. They have to be within the following limits:

- L** between 0.2 and 10 div., if possible 4 to 10 div.,
- T** between 0.02 μ s and 5 s,
- F** between 0.5 Hz and 20 MHz,
- T_c** between 0.2 μ s/div. and 5 s/div. in 1-2-5 sequence (with **X-MAG. x10** in out position), and
- T_c** between 20 ns/div. and 500 ms/div. in 1-2-5 sequence (with pushed **X-MAG. x10** pushbutton).

Examples:

Displayed wavelength **L** = 7 div.,
 set time coefficient **T_c** = 0.2 μ s/div.,
required period T = $7 \cdot 0.2 \cdot 10^{-6} = 1.4 \mu$ s
required rec. freq. F = $1 : (1.4 \cdot 10^{-6}) = 714$ kHz.

Signal period **T** = 0.5 s,
 set time coefficient **T_c** = 0.2 s/div.,
required wavelength L = $0.5 : 0.2 = 2.5$ div..

Displayed ripple wavelength **L** = 1 div.,
 set time coefficient **T_c** = 10 ms/div.,
required ripple freq. F = $1 : (1 \cdot 10 \cdot 10^{-3}) = 100$ Hz.

TV-line frequency **F** = 15 625 Hz,
 set time coefficient **T_c** = 10 μ s/div.,
required wavelength L = $1 : (15\ 625 \cdot 10^{-5}) = 6.4$ div..

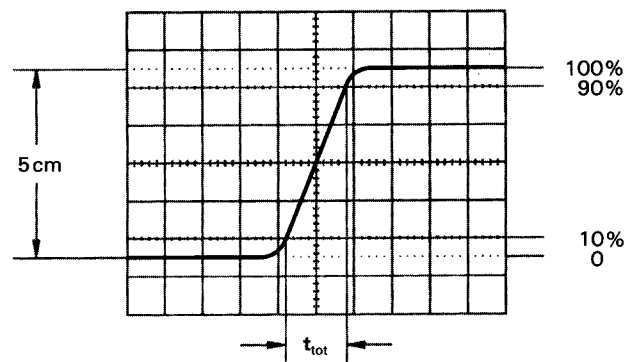
Sine wavelength **L** = min. 4 div., max. 10 div.,
 Frequency **F** = 1 kHz,
 max. time coefficient **T_c** = $1 : (4 \cdot 10^3) = 0.25$ ms/div.,
 min. time coefficient **T_c** = $1 : (10 \cdot 10^3) = 0.1$ ms/div.,
set time coefficient T_c = 0.2 ms/div.,
required wavelength L = $1 : (10^3 \cdot 0.2 \cdot 10^{-3}) = 5$ div.

Displayed wavelength **L** = 0.8 div.,
 set time coefficient **T_c** = 0.5 μ s/div.,
pressed X-MAG. x10 button: T_c = 0.05 μ s/div.,
required rec. freq. F = $1 : (0.8 \cdot 0.05 \cdot 10^{-6}) = 25$ MHz,
required period T = $1 : (25 \cdot 10^6) = 40$ ns.

If the time is relatively short as compared with the complete signal period, an expanded time scale should always be applied (**X-MAG. x10** button pressed). In this case, the ascertained time values have to be divided by **10**. The time interval of interest can be shifted to the screen center using the **X-POS.** control.

When investigating pulse or square waveforms, the critical feature is the **risetime of the voltage step**. To ensure that transients, ramp-offs, and bandwidth limits do not unduly influence the measuring accuracy, the risetime is generally measured between **10%** and **90%** of the vertical pulse height. For peak-to-peak signal amplitude of **5 div.** height, which are symmetrically adjusted to the horizontal center line, the internal graticule of the CRT has two horizontal dotted lines ± 2.5 div. from the center line. Adjust the Y attenuator switch with its variable control together with the **Y-POS.** control so that the pulse height is precisely aligned with these 0 and 100% lines. The 10% and 90% points of the signal will now coincide with the two lines, which have a distance of ± 2 div. from the horizontal center line and an additional subdivision of 0.2 div.. **The risetime is given by the product of the horizontal distance in div. between these two coincidence points and the time coefficient setting.** If magnification is used, this product must be divided by 10. The **fall time** of a pulse can also be measured by using this method.

The following figure shows correct positioning of the oscilloscope trace for accurate risetime measurement.



With a time coefficient of 0.5 μ s/div. and pushed **X-MAG x10** button the example shown in the above figure results in a measured total risetime of

$$t_{tot} = 1.6 \text{ div.} \cdot 0.2 \mu\text{s/div.} : 10 = 32 \text{ ns}$$

When very fast risetimes are being measured, the risetimes of the oscilloscope amplifier and of the attenuator probe has to be deducted from the measured time value. The risetime of the signal can be calculated using the following formula.

$$t_r = \sqrt{t_{tot}^2 - t_{osc}^2 - t_p^2}$$

In this **t_{tot}** is the total measured risetime, **t_{osc}** is the risetime of the oscilloscope amplifier (approx. 17.5 ns), and **t_p** the risetime of the probe (e.g. = 2 ns). If **t_{tot}** is greater than 100 ns, then **t_{tot}** can be taken as the risetime of the pulse, and calculation is unnecessary.

Calculation of the example in the figure above results in a signal risetime

$$t_r = \sqrt{32^2 - 17.5^2 - 2^2} = 26.72 \text{ ns}$$

The measurement of the rise or fall time is not limited to the trace dimensions shown in the above diagram. It is only particularly simple in this way. In principle it is possible to measure in any display position and at any signal amplitude. It is only important that the full height of the signal edge of interest is visible in its full length at not too great steepness and that the horizontal distance at 10% and 90% of the amplitude is measured. If the edge shows rounding or overshooting, the 100% should not be related to the peak values but to the mean pulse heights. Breaks or peaks (glitches) next to the edge are also not taken into account. With very severe transient distortions, the rise and fall time measurement has little sense. For amplifiers with approximately constant group delay (therefore good pulse transmission performance) the following numerical relationship between rise time **tr** (in ns) and bandwidth **B** (in MHz) applies:

$$tr = \frac{350}{B} \quad B = \frac{350}{tr}$$

Connection of Test Signal

Caution: When connecting unknown signals to the oscilloscope input, always use automatic triggering and set the **DC-AC** input coupling switch to **AC**. The attenuator switch should initially be set to **5V/div**.

Sometimes the trace will disappear after an input signal has been applied. The attenuator switch must then be turned back to the left, until the vertical signal height is only 3-8 div. With a signal amplitude greater than $100V_{pp}$, an attenuator probe must be inserted before the oscilloscope's vertical input. If, after applying the signal, the trace is nearly blanked, the period of the signal is probably substantially longer than the set value on the **TIME/DIV** switch. It should be turned to the left to an adequately larger time coefficient.

The signal to be displayed can be connected directly to the Y-input of the oscilloscope with a shielded test cable such as HZ 32 and HZ 34 or attenuated through a x10 or x100 attenuator probe. The use of test cables with high impedance circuits is only recommended for relatively low frequencies (up to approx. 50 kHz). For higher frequencies, the signal source must be of low impedance, i.e. matched to the characteristic resistance of the cable (as a rule 50 Ohm). Especially when transmitting square and pulse signals, a resistor equal to the characteristic impedance of the cable must also be connected across the cable directly at the Y-input of the oscilloscope. When using a 50 Ohm cable such as the HZ 34, a 50 Ohm through termination type HZ22 is available from HAMEG. When transmitting square signals with short rise times, transient phenomena on the edges

and top of the signal may become visible if the correct termination is not used. A terminating resistance is sometimes recommended with sine signals as well. Certain amplifiers, generators or their attenuators maintain the nominal output voltage independent of frequency only if their connection cable is terminated with the prescribed resistance. Here it must be noted that the terminating resistor HZ 22 will only dissipate a maximum of 2 Watts. This power is reached with $10 V_{rms}$ or — at $28.3 V_{pp}$ with sine signal.

If a x10 or x100 attenuator probe is used, no termination is necessary. In this case, the connecting cable is matched directly to the high impedance input of the oscilloscope. When using attenuator probes, even high internal impedance sources are only slightly loaded (approx. $10 M\Omega \parallel 16 pF$ or $100 M\Omega \parallel 7 pF$ with HZ 53). Therefore, if the voltage loss due to the attenuation of the probe can be compensated by a higher amplitude setting, the probe should always be used. The series impedance of the probe provides a certain amount of protection for the input of the vertical amplifier. Because of their separate manufacture, all attenuator probes are only partially compensated, therefore accurate compensation must be performed on the oscilloscope (see "Probe compensation" page M8).

Standard attenuator probes on the oscilloscope normally reduce its bandwidth and increase the rise time. In all cases where the oscilloscope band width must be fully utilized (e.g. for pulses with steep edges) we strongly advise using the **modular probes HZ 51** (x10) **HZ 52** (x10 HF) and **HZ 54** or **HZ 37** (x1 and x10) (see oscilloscope accessories, page Z1). This can save the purchase of an oscilloscope with larger bandwidth and has the advantage that defective components can be ordered from HAMEG and replaced by oneself. The probes mentioned have a HF-calibration in addition to low frequency calibration adjustment. Thus a group delay correction to the upper limit frequency of the oscilloscope is possible with the aid of a square-wave calibrator, switched to 1 MHz, e.g. HAMEG **Scope Tester HZ60**. In fact the bandwidth and rise time of the oscilloscope are not noticeably changed with these probe types and the waveform reproduction fidelity can even be improved because the probe can be matched to the oscilloscope's individual pulse response.

If a x10 or x100 attenuator probe is used, DC input coupling must always be used at voltages above 400 V. With **AC** coupling of low frequency signals, the attenuation is no longer independent of frequency, pulses can show pulse tilts. Direct voltages are suppressed but load the oscilloscope input coupling capacitor concerned. Its voltage rating is max. 400 V (DC + peak AC). **DC** input coupling is therefore of quite special importance with a x100 attenuation probe which usually has a voltage rating of max. 1200 V (DC + peak AC). A **capacitor** of corresponding capacitance and voltage rating may be connected **in series with**

the attenuator probe input for blocking DC voltage (e.g. for hum voltage measurement).

With all **attenuator probes, the maximum AC input voltage** must be **derated** with frequency usually above 20 kHz. Therefore the derating curve of the attenuator probe type concerned must be taken into account.

The selection of the ground point on the test object is important when displaying small signal voltages. It should always be as close as possible to the measuring point. If this is not done, serious signal distortion may result from spurious currents through the ground leads or chassis parts. The ground leads on attenuator probes are also particularly critical. They should be as short and thick as possible. When the attenuator probe is connected to a BNC-socket, a BNC-adaptor, which is often supplied as probe accessory, should be used. In this way ground and matching problems are eliminated.

Hum or interference appearing in the measuring circuit (especially when a small deflection coefficient is used) is possibly caused by multiple grounding because equalizing currents can flow in the shielding of the test cables (voltage drop between the protective conductor connections, caused by external equipment connected to the mains/line, e.g. signal generators with interference protection capacitors).

First Time Operation

Check that the instrument is set to the correct mains/line voltage. (Refer to page M2.)

Before applying power to the oscilloscope it is recommended that the following simple procedures are performed:

- Check that all pushbuttons are in the **out** position, i.e. released.
- Rotate the four variable controls, i.e. **TIME/DIV.** variable control, **CH.I** and **CH.II** attenuator variable controls, and **HOLD OFF** control to their calibrated detent.
- Set all controls with marker lines to their midrange position (marker lines pointing vertically).
- The **TV** lever switch and the **TRIG.** selector lever switch in the X-field should be set to their uppermost position.
- Both **GD** switches for **CH.I** and **CH.II** in the Y-field should be set to the **GD** position (depressed).

Switch on the oscilloscope by depressing the red **POWER** pushbutton. An LED will illuminate to indicate working order. The trace, displaying one baseline, should be visible after a short warm-up period of 10 seconds. Adjust **Y-POS.I** and **X-POS.** controls to center the baseline. Adjust **INTENS.** (intensity) and **FOCUS** controls for medium brightness and optimum sharpness of the trace. The oscilloscope is now ready for use.

If only a spot appears (**CAUTION!** CRT phosphor can be damaged.), reduce the intensity immediately and check that the **X-Y** pushbutton is in the released (out) position. If the trace is not visible, check the correct positions of all knobs and switches (particularly **AT/NORM.** button in out position).

To obtain the maximum life from the cathode-ray tube, the minimum intensity setting necessary for the measurement in hand and the ambient light conditions should be used.

Particular care is required when a single spot is displayed, as a very high intensity setting may cause damage to the fluorescent screen of the CRT. Switching the oscilloscope off and on at short intervals stresses the cathode of the CRT and should therefore be avoided.

The instrument is so designed that even incorrect operation will not cause serious damage. The pushbuttons control only minor functions, and it is recommended that before commencement of operation all pushbuttons are in the "out" position. After this the pushbuttons can be operated depending upon the mode of operation required.

The HM205-3 accepts all signals from DC (direct voltage) up to a frequency of at least 20 MHz (-3dB). For sinewave voltages the upper frequency limit will be 30-35 MHz.

However, in this higher frequency range the vertical display height on the screen is limited to approx. 4-5 div. The time resolution poses no problem. For example, with 25 MHz and the fastest adjustable sweep rate (20 ns/div.), one cycle will be displayed every 2 div. The tolerance on indicated values amounts to $\pm 3\%$ in both deflection directions. All values to be measured can therefore be determined relatively accurately. However, from approximately 6 MHz upwards the measuring error will increase as a result of loss of gain. At 12 MHz this reduction is about 10%. Thus, approximately 11% should be added to the measured voltage at this frequency. As the bandwidth of the amplifiers differ (normally between 20 and 25 MHz), the measured values in the upper limit range cannot be defined exactly. Additionally, as already mentioned, for frequencies above 20 MHz the dynamic range of the display height steadily decreases. The vertical amplifier is designed so that the transmission performance is not affected by its own overshoot.

Trace Rotation TR

In spite of Mumetal-shielding of the CRT, effects of the earth's magnetic field on the horizontal trace position cannot be completely avoided. This is dependent upon the orientation of the oscilloscope on the place of work. A centred trace may not align exactly with the horizontal center line of the graticule. A few degrees of misalignment can be corrected by a potentiometer accessible through an opening on the front panel marked TR.

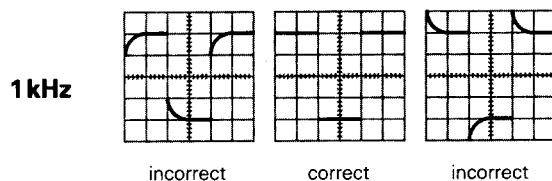
Probe compensation and use

The attenuator probe must be matched exactly to the input impedance of the vertical amplifier to ensure an undistorted display of waveforms. A generator built into the HM 205-3 supplies a square wave signal for this purpose with short rise time at **1 kHz**. The square wave signal can be taken from the two eyelets beneath the screen. One output supplies **0.2V_{pp} ± 1%** ($t_r = 60$ ns) for x10 attenuator probes, the other **2V_{pp} ± 1%** ($t_r = 90$ ns) for x100 attenuator probes. These voltages correspond in each case to a screen amplitude of **4 div.** provided the input attenuator switch of the HM 205-3 is set to the deflection coefficient **5 mV/div.**

1 kHz compensation

This trimmer adjustment compensates the capacitive loading of the oscilloscope input (approx. 25 pF for the HM 205-3). After compensation, the capacitive attenuation has the same attenuation ratio as the ohmic divider. The same voltage attenuation then results at high and low frequencies as for direct voltage (for x1 probes or probes switches over to x1, this compensation is neither necessary nor possible). The trace line must be parallel with the horizontal graticule lines (see "Trace rotation TR", page M8).

Connect attenuator probe (type HZ51, 52, 53, 54 or also HZ36) to the **CH.I** input, do not press any buttons or turn any knobs, set input coupling to **DC**, input attenuator to **5 mV/div.** and **TIME/DIV.** switch to **0.2 ms/div.** (both variable controls in calibration position **CAL.**), connect probe to the corresponding **CAL.** eyelet (x10 probe to **0.2V** eyelet, x100 to **2V** eyelet).



2 cycles can be seen on the screen. The compensation trimmer must now be adjusted. It is generally located in the probe itself. In the x100 attenuator probe HZ53 it is located in the small box on the BNC plug. Adjust the trimmer with the insulating screw driver provided until the tops of the

square wave signal are exactly parallel to the horizontal graticule lines (see 1 kHz diagram). The signal height should then be 4 div. ± 1.2 mm (= 3 %). The signal edges are invisible during this adjustment.

1 MHz compensation

HF adjustment is possible for the HZ51, 52, and 54 probes. These possess resonance correction elements (pots in combination with coils and capacitors) with which it is possible for the first time to simply adjust the probe in the upper frequency range of the vertical amplifier.

After this compensation, not only the maximum possible bandwidth is obtained in the attenuator probe mode but also a largely constant group delay at the end of the bandwidth. In this way transient distortions (such as overshooting, rounding off, ringing, holes or humps in the pulse top) in the vicinity of the leading edge are kept to a minimum. The bandwidth of the HM 205-3 is therefore fully utilized when using the HZ51, 52, and 54 probes without having to accept wave form distortions.

Prerequisite for this HF compensation is a square wave generator with short rise time (typically 4 ns) and low-impedance output (approx. 50 Ohm) which also supplies a voltage of 0.25 V or 2.5 V at a frequency of 1 MHz.

The **SCOPE TESTER HZ60** fulfills these tasks excellently (see **Accessories**, page Z1).

Operating modes of the vertical amplifiers

The vertical amplifier is set to the desired operating mode by using the 3 pushbuttons labelled **VERT. MODE** in the Y field of the front panel. For **Mono** mode all 3 buttons must be in their released positions; only **channel I** can then be operated. The button **CH I/II-TRIG.I/II** must be depressed in mono mode for **Channel II**. The internal triggering is simultaneously switched over to Channel II with this button.

If the **DUAL** button is depressed, both channels are working. Two signals can be displayed together in this button position (alternate mode). This mode is not suitable for displaying very slow-running processes. The display then flickers too much or it appears to jump. If the **CHOP.** button is depressed in addition to **DUAL**, both channels are switched over constantly at a high frequency within a sweep period (CHOP mode). Slow running processes **below 1 kHz or with time coefficients higher than 1 ms/div.** are then also displayed without flicker. The dual mode chosen is less important for signals with higher repetition frequency.

If the **ADD** button is depressed, the signals of both channels are algebraically added ($I \pm II$). Whether the resulting

display shows the **sum** or **difference** is dependent on the phase relationship or the polarity of the signals **and** on the positions of the **INV. CHII** button.

In-phase input voltages:

INV. CHII button released = sum.

INV. CHII button depressed = difference.

Antiphase input voltages:

INV. CHII button released = difference.

INV. CHII button depressed = sum.

In the **ADD** mode the vertical display position is dependent upon the **Y-POS.** setting of **both** channels. The **same attenuator switch position** is normally used for both channels with algebraic addition.

Differential measurement techniques allow direct measurement of the voltage drop across floating components (both ends above ground). Two identical probes should be used for both vertical inputs. Using a separate ground connection and **not** connecting the probe or cable shields to the circuit under test avoid ground loops (hum, common-mode disturbances).

X-Y Operation (analog mode)

For **X-Y mode** press the **X-Y** button in the X field of the front panel. If the oscilloscope is in digital mode, then this also has the effect of causing it to automatically switch over to analog operation (the **STOR. LED** is extinguished). The X signal is then derived from the **Channel II (HOR. INP.)**. **The calibration of the X signal during X-Y operation is determined by the setting of the Channel II input attenuator and variable control.** This means that the sensitivity ranges and input impedances are identical for both the X and Y axes. However, the **Y-POS. II** control is disconnected in this mode. Its function is taken over by the **X-POS.** control. It is important to note that the **X-MAG. x10** facility, normally used for expanding the sweep, should not be operated in the X-Y mode. It should also be noted that the bandwidth of the X amplifier is approximately 2.5 MHz (-3dB), and therefore an increase in phase difference between both axes is noticeable from 50 kHz upwards.

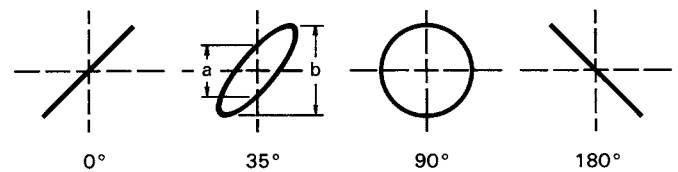
The inversion of the X-Input signal using the **INVERT** button is not possible in X-Y mode.

Lissajous figures can be displayed in the **X-Y mode** for certain measuring tasks:

- Comparing two signals of different frequency or bringing one frequency up to the frequency of the other signal. This also applies for whole number multiples or fractions of the one signal frequency.
- Phase comparison between two signals of the same frequency.

Phase comparison with Lissajous figure

The following diagrams show two sine signals of the same frequency and amplitude with different phase angles.



Calculation of the phase angle or the phase shift between the X and Y input voltages (after measuring the distances **a** and **b** on the screen) is quite simple with the following formula and a pocket calculator with trigonometric functions and besides **independent of both deflecting amplitudes** on the screen.

$$\sin \varphi = \frac{a}{b}$$

$$\cos \varphi = \sqrt{1 - \left(\frac{a}{b}\right)^2}$$

$$\varphi = \arcsin \frac{a}{b}$$

The following must be noted here:

- Because of the periodic nature of the trigonometric functions, the calculation should be limited to angles $\leq 90^\circ$. However here is the advantage of the method.
- Do not use a too high test frequency. The phase shift of the two oscilloscope amplifiers of the HM205-3 in the X-Y mode can exceed an angle of 3° above 120 kHz.
- It cannot be seen as a matter of course from the screen display if the test voltage leads or lags the reference voltage. A CR network before the test voltage input of the oscilloscope can help here. The $1 \text{ M}\Omega$ input resistance can equally serve as R here, so that only a suitable capacitor C needs to be connected in series. If the aperture width of the ellipse is increased (compared with C short-circuited), then the test voltage leads the reference voltage and vice versa. This applies only in the region up to 90° phase shift. Therefore C should be sufficiently large and produce only a relatively small just observable phase shift.

Should both input voltages be missing or fail in the X-Y mode, a very bright light dot is displayed on the screen. This dot can burn into the phosphor at a too high brightness setting (INTENS. knob) which causes either a lasting loss of brightness, or in the extreme case, complete destruction of the phosphor at this point.

Phase difference measurement in DUAL mode

A larger phase difference between two input signals of the same frequency and shape can be measured very simply on the screen in Dual mode (**DUAL** button depressed). The time base should be triggered by the reference signal (phase position 0). The other signal can then have a leading or lagging phase angle. Alternate mode should be selected for frequencies ≥ 1 kHz; the Chop mode is more suitable for frequencies < 1 kHz (less flickering). For greatest accuracy adjust not much more than one period and approximately the same height of both signals on the screen. The variable controls for amplitude and time base and the **LEVEL** knob can also be used for this adjustment – without influence on the result. Both base lines are set onto the horizontal graticule center line with the **Y-POS.** knobs before the measurement. With sinusoidal signals, observe the zero (crossover point) transitions; the sine peaks are less accurate. If a sine signal is noticeably distorted by even harmonics, or if an offset direct voltage is present, **AC** coupling is recommended for **both** channels. If it is a question of pulses of the same shape, read off at steep edges.

Phase difference measurement in dual mode

t = horizontal spacing of the zero transitions in div.

T = horizontal spacing for one period in div.

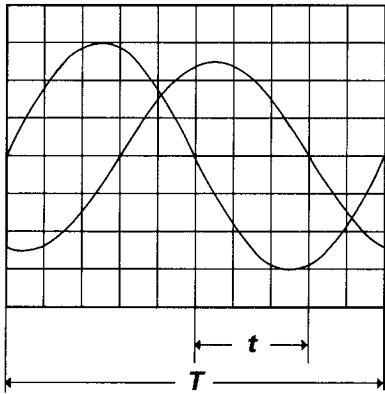


Figure 1
Amplitude and frequency spectrum for AM display ($m = 50\%$)

The display of the amplitude-modulated HF oscillation can be evaluated with the oscilloscope in the analog mode provided the frequency spectrum is inside the oscilloscope bandwidth. The time base is set so that several wave of the modulation frequency are visible. Strictly speaking, triggering should be external with modulation frequency (from the AF generator or a demodulator). However, internal triggering is frequently possible with normal triggering (**AT/NORM.** button depressed) using a suitable **LEVEL** setting and possibly also using the time variable adjustment.

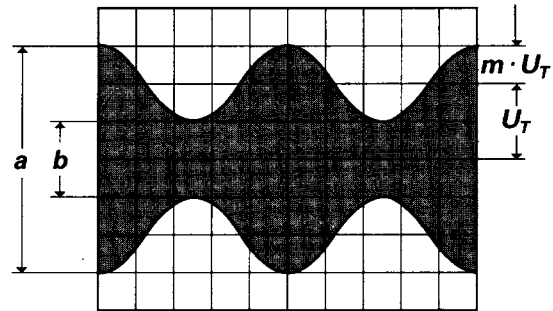


Figure 2
Amplitude modulated oscillation: $F = 1$ MHz; $f = 1$ kHz;
 $m = 50\%$; $U_T = 28.3$ mV_{rms}.

In the example illustrated, $t = 3$ div. and $T = 10$ div. The phase difference in degrees is calculated from

$$\varphi^\circ = \frac{t}{T} \cdot 360^\circ = \frac{3}{10} \cdot 360^\circ = 108^\circ$$

or expressed in radians

$$\text{arc } \varphi = \frac{t}{T} \cdot 2\pi = \frac{3}{10} \cdot 2\pi = 1,885 \text{ rad}$$

Relatively small phase angles at not too high frequencies can be measured more accurately in the X-Y mode with Lissajous figures.

Oscilloscope setting for a signal according to figure 2:

Depress no buttons. **Y: CH. I; 20 mV/div.; AC.**

TIME/DIV.: 0.2 ms/div.

Triggering: **NORMAL** with **LEVEL**-setting; **internal (or external) triggering.**

If the two values a and b are read from the screen, the modulation factor is calculated from

$$m = \frac{a-b}{a+b} \text{ resp. } m = \frac{a-b}{a+b} \cdot 100 [\%]$$

where $a = U_T (1+m)$ and $b = U_T (1-m)$.

In certain cases (e.g. proportioning of a terminating resistor, diameter of wire of a modulation transformer, examination of an AM-tuning diode for cross modulation etc.), the following formula is of advantage:

$$\frac{U_{ss}}{U_{rms}} = 2 \cdot \sqrt{2} \cdot \frac{1+m}{\sqrt{1+\frac{m^2}{2}}}$$

U_{ss} = peak-to-peak amplitude of an AM-voltage

U_{rms} = effective voltage value of U_{ss} (on sine modulation only)

The variable controls for amplitude and time can be set arbitrarily in the modulation factor measurement. Their position does not influence the result.

Triggering and time base

A signal can be displayed only if the time base is running or triggered. To produce a stationary display, triggering must be synchronous with the test signal. This is possible by using the test signal itself or by an externally supplied but synchronous signal voltage.

The trigger voltage should have a certain minimum amplitude. This value is called the **trigger threshold**. It is measured with a sine signal. When the trigger voltage is taken internally from the test signal, the trigger threshold can be stated as vertical **display height in mm**, through which the time base generator starts, the display is stable, and the trigger LED lights.

The internal trigger threshold of the HM205-3 is given as ≤ 0.5 div. When the trigger voltage is externally supplied, it can be measured in V_{pp} at the **TRIG. INP.** socket. Normally, the trigger threshold may be exceeded up to a maximum factor of 20.

The HM205-3 has two trigger modes, which are characterized in the following.

Automatic Triggering

If the **AT/NORM.** pushbutton in the X field is in the out position **AT**, the sweep generator is running without test signal or external trigger voltage. A base line is always displayed even without a signal applied. This trigger mode is therefore called **Automatic Triggering**. Operation of the scope needs, having a constantly visible trace, only a correct amplitude and time base setting. A **LEVEL** adjustment is neither necessary nor possible with automatic triggering. This simple **AT** mode is recommended for all uncomplicated measuring tasks. However, automatic triggering is also the appropriate operation mode for the "entry" into difficult measuring problems, e.g. when the test signal is unknown relating to amplitude, frequency or shape. Presetting of all parameters is now possible with automatic triggering; the change to normal triggering can follow thereafter.

The automatic triggering works above **10Hz** up to at least **40MHz**. The changeover to the break down of the automatic triggering at frequencies below 10Hz is abrupt. However,

it can not be recognized by the **TRIG.** LED; this is still blinking. Break down of triggering is best recognizable at the left screen edge (the start of the trace in differing display height).

The automatic triggering follows immediately all variations or fluctuations of the test signal above 10Hz. However, if the pulse duty factor of a square-wave signal changes so much that one part of the square-wave reduces to a needle pulse, switching over to normal triggering and using the **LEVEL** control can be necessary. With automatic triggering, the trigger point lies approx. in the zero voltage crossing. The time interval, required for the time base start, can be too short at a steep zero crossing of the needle pulse. Then normal triggering should be used.

Automatic triggering is practicable not only with internal but also with external trigger voltage.

Normal Triggering

With normal triggering (**AT/NORM.** button depressed) and **LEVEL** adjustment, the sweep can be started by signals within the frequency range selected by the **TRIG.** coupling switch. **In the absence of an adequate trigger signal or when the trigger controls (particularly the LEVEL control) are misadjusted, no trace is visible, i.e. the screen blanked completely. In storage mode, the most recently sampled waveform remains stored in memory.**

When using the internal normal triggering mode, it is possible to trigger at any amplitude point of a signal edge, even with very complex signal shapes, by adjusting the **LEVEL** control. Its adjusting range is directly dependent on the display height, which should be at least **0.5 div.** If it is smaller than 1 div., the **LEVEL** adjustment needs to be operated with a sensitive touch. In the external normal triggering mode, the same applies to approx. 0.6V external trigger voltage amplitude.

Other measures for triggering of very complex signals are the use of the time base variable control and **HOLDOFF** time control, hereinafter mentioned.

Slope

The trigger point can be placed alternatively on a rising or falling edge of the test signal. This is valid with automatic and with normal triggering. The selected slope is set with the **+/-** button. The plus sign (button released) means an edge, which is coming from a negative potential and rising to a positive potential. That has nothing to do with zero or ground potential and absolute voltage values. The positive slope may also lie in a negative part of a signal. A falling edge (minus sign) triggers, when the **+/-** button is depressed. However, with normal triggering, the trigger point may be varied within certain limits on the chosen edge using the **LEVEL** control.

Trigger coupling

The coupling mode and accordingly the frequency range of the trigger signal can be changed using the **TRIG.** selector switch. However, this is possible only with the **TV** switch in **OFF** position.

AC: Trigger range $\geq 10\text{Hz}$ to 10MHz .

This is the most frequently used trigger mode. The trigger threshold is increasing below 10Hz.

DC: Trigger range DC to 10MHz .

DC triggering is recommended, if the signal is to be triggered with quite slow processes or if pulse signals with constantly changing pulse duty factors have to be displayed.

Always work with normal triggering and LEVEL adjustment.

Otherwise there is the possibility in the **AT** position (automatic triggering) that the trigger point may change or that triggering may not occur with signals without zero crossing (e.g. with DC offset). Sometimes triggering is easier with **AC input coupling**, because the signal then has its average value exactly at the oscilloscope's ground potential.

HF: Trigger range 1.5kHz to 40MHz (high-pass filter).

The HF position is suitable for all radio-frequency signals. DC fluctuations and low-frequency excess noise of the trigger voltage are suppressed, giving a stable display. The trigger threshold increases below 1.5kHz.

LF: Trigger range DC to 1kHz (low-pass filter).

The LF position is often more suited for low-frequency signals than the DC position, because the (white) noise in the trigger voltage is strongly suppressed. So jitter or double-triggering of complex signals is avoidable or at least reduced, in particular with very low input voltages. The trigger threshold increases above 1 kHz.

Alternate triggering (in analog mode only)

With **alternate triggering** (**ALT.** button depressed) it is possible to use normal triggering from both channels simultaneously (I and II) in **alternate DUAL** mode. The two signal frequencies can also be **asynchronous** with respect to one another when doing so. So that the two signals can be shifted about independently of one another on the scope screen, if possible **AC** input coupling should be used for both channels. In this case the same trigger threshold of 0.5div. holds. The trigger pulse is derived from the signal being written at that

point in time, i.e. alternately from the two signals. It is not possible to view a single waveform in alternate mode with this triggering type.

Line triggering

A part of a secondary winding voltage of the power transformer is used as mains/line frequency trigger signal (50 to 60Hz) in the \sim position of the **TRIG.** selector switch. This trigger mode is independent of amplitude and frequency of the Y signal and is recommended for all mains/line synchronous signals. This also applies – within certain limits – to whole number multiples or fractions of the line frequency. Line triggering can also be useful to display signals below the trigger threshold (less than 0.5div). It is therefore particularly suitable for measuring small ripple voltages of mains/line rectifiers or stray magnetic field in a circuit.

Magnetic leakage (e.g. from a power transformer) can be investigated for direction and amplitude using a search or pick-up coil. The coil should be wound on a small former with a maximum of turns of a thin lacquered wire and connected to a BNC connector (for scope input) via a shielded cable. Between cable and BNC center conductor a resistor of at least 100Ω should be series-connected (RF decoupling). Often it is advisable to shield statically the surface of the coil. However, no shorted turns are permissible. Maximum, minimum, and direction to the magnetic source are detectable at the measuring point by turning and shifting the coil.

Triggering of video signals

The built-in active **TV-Sync-Separator** separates the sync pulses from the video signal, permitting the display of distorted video signals either in line (**H** = horizontal) or in frame (**V** = vertical) trigger mode. The **TV** lever switch has five positions: the **OFF** position is for normal operation.

The **TV: H+** and **H-** positions (horizontal = line) and the **TV: V+** and **V-** (vertical = frame) positions are used for video triggering. In these four positions the **TRIG.** coupling switch, the **+/-** (Slope) switch and the **LEVEL** control (in **NORM.** trigger mode) are inoperative. In the **TV: V+** and **V-** positions (frame triggering), a low-pass filter or integrating network is connected into circuit, which forms a trigger pulse sequence with frame frequency from the vertical sync pulses (incl. pre- and postequalizing pulses).

For correct video triggering, the **+** and **-** positions at **V** and **H** must be selected corresponding to the video input signal. If the sync pulses are placed above the picture content, **H+** or **V+** should be in use. For sync pulses below the picture content of the input signal, correct triggering, without any

influence from changing picture contents, will be possible only in **V-** or **H-** setting. The **INVERT** pushbutton only changes the display on the CRT, not the input signal.

In **TV: H** trigger mode, the trigger point lies on the starting edge of a sync pulse. As mentioned before, in **TV: V** mode an integrating network is additionally added to the sync separator which delays the formed trigger pulse by about 50 μs .

Video signals are triggered in the automatic mode. Therefore the adjustment of the trigger point is superfluous. The internal triggering is virtually independent of the display height, which may differ from 0.8 to 8 cm. As opposed to **AT** mode, when the **AT/NORM.** button is pressed in, the screen is blanked in analog mode without signal at the input (turning the **LEVEL** knob is ineffectual).

The **TIME/DIV.** switch can be set according to the measurement task independently of the **TV** switch position. The basic positions for **H** (horizontal \triangleq line) and **V** (vertical \triangleq frame) are marked on the scale of the **TIME/DIV.** switch. However, the **TIME/DIV.** knob may be turned more to the right (without break down of the triggering), if more details in the video signal should be required. More advantageous, because one video field is suppressed, is the use of the 10-fold expansion with the **X-MAG. x10** button and the **HOLD-OFF** time setting. Disconnecting the trigger circuit (e.g. by rapidly pressing and releasing the **EXT.** button) can result in triggering the consecutive (odd or even) field.

Setting: **TV: V, 2ms/div., HOLD-OFF** knob at the right stop, **X-MAG. x10** button depressed, searching the picture detail with **X-POS.** knob. So the International Insertion Test Signals including Video Text and VPS etc. in the vertical blanking interval are fully visible with a 25:1 expansion ratio.

The sync-separator-circuit also operates with external triggering. It is important that the voltage range (0.3V_{pp} to 6V_{pp}) for external triggering should be noted. In addition, the correct slope setting is again critical, because the external trigger signal may not have the same polarity or pulse edge as the test signal. This can be checked, if the external trigger voltage itself is displayed at first (with internal triggering).

Generally, the composite video signal has a high DC content. With a constant video information (e.g. test pattern or color bar generator), the DC content can be suppressed easily by **AC** input coupling of the oscilloscope amplifier. With a changing picture content (e.g. normal program), **DC** input coupling is recommended, because the display varies its height on screen with **AC** input coupling at each change of the picture content. The DC content can be compensated using the **Y-POS.** control so that the signal display lies in the graticule area. Then the composite video signal should not exceed a vertical height of 6 div.

External triggering

The internal triggering is disconnected by depressing the **EXT.** button. The timebase can be triggered **externally** via the **TRIG. INP.** socket using a 0.3V_{pp} to 6V_{pp} voltage, which is in synchronism with the test signal. This trigger voltage may have completely different form from the test signal voltage. Triggering is even possible – in certain limits – with whole number multiples or fractions of the test frequency, but only in locked phase relation.

The input impedance of **TRIG. INP.** socket is approx. 1 M Ω || 25 pF. The maximum input voltage of the input circuit is 100V (DC + peak AC). Only 6V_{pp} maximum are required for a good external triggering.

Trigger indicator

An LED on condition (below the **TRIG.** switch) indicates that the sweep generator is triggered. This is valid with automatic and with normal triggering. The indication of trigger action facilitates a sensitive **LEVEL** adjustment, particularly at very low signal frequencies. The indication pulses are of only 100 ms duration.

Thus for fast signals the LED appears to glow continuously, for low repetition rate signals, the LED flashes at the repetition rate or – at a display of several signal periods – not only at the start of the sweep at the left screen edge, but also at each signal period.

Holdoff-time adjustment

If it is found that a trigger point cannot be located on extremely complex signals even after repeated and careful adjustment of the **LEVEL** control in the **normal triggering** mode, a stable display may be obtained using the **HOLD-OFF** control (in the X-field). This facility varies the hold-off time between two sweep periods approx. up to the ratio 10:1. Pulses or other signal waveforms appearing during this off period cannot trigger the timebase. Particularly with burst signals or aperiodic pulse trains of the same amplitude, the start of the sweep can be delayed until the optimum or required moment.

A very noisy signal or a signal with a higher interfering frequency is at times double displayed. It is possible that LEVEL adjustment only controls the mutual phase shift, but not the double display. The stable single display of the signal, required for the evaluation, is easily obtainable by expanding the holdoff time. To this end the HOLD-OFF knob is slowly turned to the right, until one signal is displayed.

A double display is possible with certain pulse signals, where the pulses alternately show a small difference of the peak amplitudes. Only a very exact **LEVEL** adjustment makes a single display possible. The use of the **HOLD-OFF** knob simplifies the right adjustment.

After specific use the **HOLD-OFF** control should be re-set into its calibration detent, otherwise the brightness of the display in analog mode is reduced drastically. The function is shown in the following figures.

Function of var. HOLD-OFF control

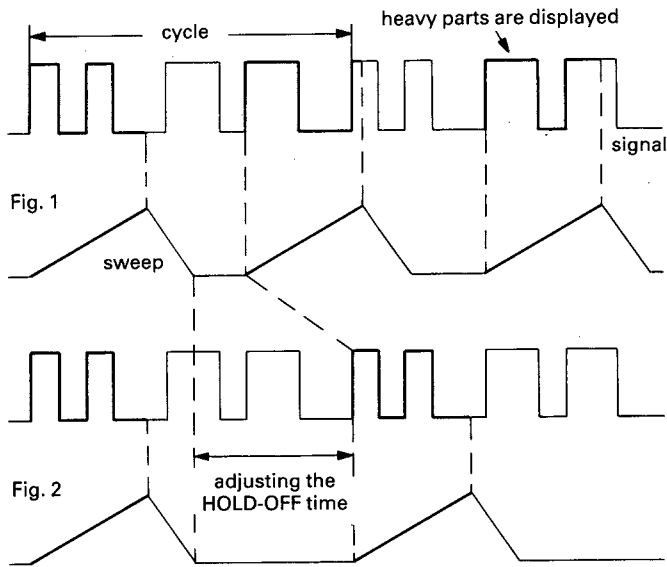


Fig. 1 shows a case where the **HOLD-OFF** knob is in the minimum position and various different waveforms are overlapped on the screen, making the signal observation unsuccessful.

Fig. 2 shows a case where only the desired parts of the signal are stably displayed.

Component Tester (analog mode)

General

The HM205-3 has a built-in electronic Component Tester (abbreviated **CT**), which is used for instant display of a test pattern to indicate whether or not components are faulty. The **CT** can be used for quick checks of semiconductors (e.g. diodes and transistors), resistors, capacitors, and inductors. Certain tests can also be made to integrated circuits. All these components can be tested in and out of circuit.

The test principle is fascinatingly simple. The power transformer of the oscilloscope delivers a sine voltage, which is applied across the component under test and a built-in fixed resistor. The sine voltage across the test object is used for the horizontal deflection, and the voltage drop across the resistor (i.e. current through test object) is used for vertical deflection of the oscilloscope. The test pattern shows a current-voltage characteristic of the test object.

Since this circuit operates with mains/line frequency (50 or 60 Hz) and a voltage of 8.5 V max. (open circuit), the indicating range of the **CT** is limited. The impedance of the component under test is limited to a range from 20 Ω to 4.7 kΩ. Below and above these values, the test pattern shows only short-circuit or open-circuit. For the interpretation of the displayed test pattern, these limits should always be borne in mind. However, most electronic components can normally be tested without any restriction.

Using the Component Tester

The **CT** is switched on by depressing the **CT** pushbutton beneath the screen. This makes the vertical preamplifier and the timebase generator inoperative. A shortened horizontal trace will be observed. It is not necessary to disconnect scope input cables unless in-circuit measurements are to be carried out. In the **CT** mode, the only controls which can be operated are **INTENS.**, **FOCUS**, and **X-POS.**. All other controls and settings have no influence on the test operation.

For the component connection, two simple test leads with 4 mm Ø banana plugs, and with test prod, alligator clip or sprung hook, are required. The test leads are connected to the insulated **CT** socket and the adjacent ground socket in the Y-Section. The component can be connected to the test leads either way round.

After use, to return the oscilloscope to normal operation, release the **CT** pushbutton.

Test Procedure

Caution! Do not test any component in live circuitry – remove all grounds, power and signals connected to the component under test. Set up Component Tester as stated above. Connect test leads across component to be tested. Observe oscilloscope display.

Only discharged capacitors should be tested!

A built-in quick-acting fuse protects the **CT** and the oscilloscope against mis-operation, e.g. device under test not disconnected from mains/line supply. In that case the fuse will blow. For fuse replacement the oscilloscope has to be opened (see service instruction page S1 "Instrument Case Removal"). The fuse is located on the bottom side of the instrument (close to the **CT** pushbutton). Make sure that only fuses of the specified type are used for replacement: **5x20 mm, quick-acting, 250 V, C, 50 mA** (IEC 127/II or DIN 41661).

Test Pattern Displays

Page M17 shows typical test patterns displayed by the various components under test.

- **Open circuit is indicated by a straight horizontal line.**
- **Short circuit is shown by a straight vertical line.**

Testing Resistors

If the test object has a linear ohmic resistance, both deflecting voltages are in the same phase. The test pattern expected from a resistor is therefore a sloping straight line. The angle of slope is determined by the resistance of the resistor under test. With high values of resistance, the slope will tend towards the horizontal axis, and with low values, the slope will move towards the vertical axis.

Values of resistance from **20Ω** to **4.7kΩ** can be approximately evaluated. The determination of actual values will come with experience, or by direct comparison with a component of a known value.

Testing Capacitors and Inductors

Capacitors and inductors cause a phase difference between current and voltage, and therefore between the X and Y deflection, giving an ellipse-shaped display. The position and opening width of the ellipse will vary according to the impedance value (at 50 or 60Hz) of the component under test.

A horizontal ellipse indicates a high impedance or a relatively small capacitance or a relatively high inductance.

A vertical ellipse indicates a small impedance or a relatively large capacitance or a relatively small inductance.

A sloping ellipse means that the component has a considerable ohmic resistance in addition to its reactance.

The values of capacitance of normal or electrolytic capacitors from **0.1μF** to **1000μF** can be displayed and approximate values obtained. More precise measurement can be obtained in a smaller range by comparing the capacitor under test with a capacitor of known value. Inductive components (coils, transformers) can also be tested. The determination of the value of inductance needs some experience, because inductors have usually a higher ohmic series resistance. However, the impedance value (at 50 or 60Hz) of an inductor in the range from **20Ω** to **4.7kΩ** can easily be obtained or compared.

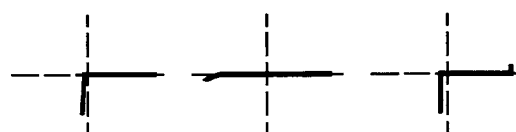
Testing Semiconductors

Most semiconductor devices, such as diodes, Z-diodes, transistors, FETs can be tested. The test pattern displays vary according to the component type as shown in the figures below.

The main characteristic displayed during semiconductor testing is the voltage dependent knee caused by the junction changing from the conducting state to the non conducting state. It should be noted that both the forward and the reverse characteristic are displayed simultaneously. This is a two-terminal test, therefore testing of transistor amplification is not possible, but testing of a single junction is easily and quickly possible. Since the **CT** test voltage applied is only very low (max. $8.5V_{rms}$), all sections of most semiconductors can be tested without damage. However, checking the breakdown or reverse voltage of high voltage semiconductors is not possible. More important is testing components for open or short-circuit, which from experience is most frequently needed.

Testing Diodes

Diodes normally show at least their knee in the forward characteristic. This is not valid for some high voltage diode types, because they contain a series connection of several diodes. Possibly only a small portion of the knee is visible. Z-diodes always show their forward knee and, up to approx. 10V, their Z-breakdown, forms a second knee in the opposite direction. A Z-breakdown voltage of more than 12V can not be displayed.



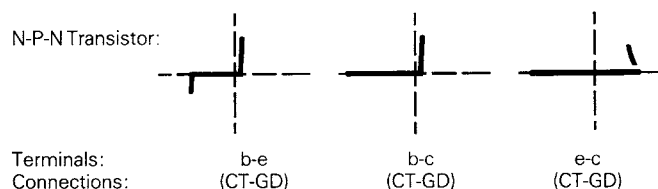
Type: Normal Diode High Voltage Diode Z-Diode 12V
 Terminals: Cathode-Anode Cathode-Anode Cathode-Anode
 Connections: (CT-GD) (CT-GD) (CT-GD)

The polarity of an unknown diode can be identified by comparison with a known diode.

Testing Transistors

Three different tests can be made to transistors: base-emitter, base-collector and emitter-collector. The resulting test patterns are shown below.

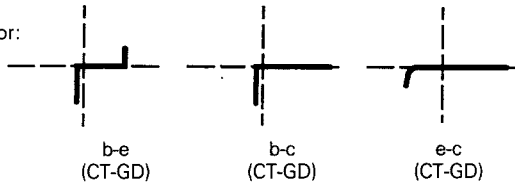
The basic equivalent circuit of a transistor is a Z-diode between base and emitter and a normal diode with reverse polarity between base and collector in series connection. There are three different test patterns:



N-P-N Transistor:
 Terminals: b-e b-c e-c
 Connections: (CT-GD) (CT-GD) (CT-GD)

P-N-P Transistor:

Terminals:
Connections:



For a transistor the figures b-e and b-c are important. The figure e-c can vary; but a vertical line only shows short circuit condition.

These transistor test patterns are valid in most cases, but there are exceptions to the rule (e.g. Darlington, FETs). With the **CT**, the distinction between a P-N-P to a N-P-N transistor is discernible. In case of doubt, comparison with a known type is helpful. It should be noted that the same socket connection (**CT** or ground) for the same terminal is then absolutely necessary. A connection inversion effects a rotation of the test pattern by 180 degrees round about the center point of the scope graticule.

Pay attention to the usual caution with single MOS-components relating to static charge or frictional electricity!

In-Circuit Tests

Caution! During in-circuit tests make sure the circuit is dead. No power from mains/line or battery and no signal inputs are permitted. Remove all ground connections including Safety Earth (pull out power plug from outlet). Remove all measuring cables including probes between oscilloscope and circuit under test. Otherwise both CT test leads are not isolated against the circuit under test.

In-circuit tests are possible in many cases. However, they are not so well-defined. This is caused by a shunt connection of real or complex impedances – especially if they are of relatively low impedance at 50 or 60Hz – to the component under test, often results differ greatly when compared with single components. In case of doubt, one component terminal may be unsoldered. This terminal should then be connected to the insulated **CT** socket avoiding hum distortion of the test pattern.

Another way is a test pattern comparison to an identical circuit which is known to be operational (likewise without power and any external connections). Using the test prods, identical test points in each circuit can be checked, and a defect can be determined quickly and easily. Possibly the device itself under test contains a reference circuit (e.g. a second stereo channel, push-pull amplifier, symmetrical bridge circuit), which is not defective.

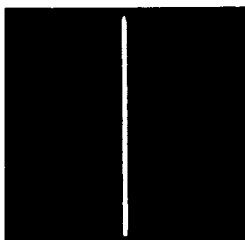
The test patterns on page M17 show some typical displays for in-circuit tests.

Y Output

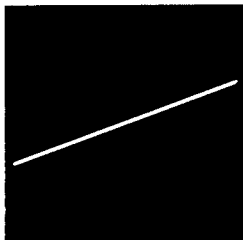
The oscilloscope contains a **vertical output** with BNC connector marked **Y** on the rear panel. The output voltage is **40mV_{pp}/div.** display height (into 50Ω). It is picked off from the vertical amplifier like the trigger signal and it is similarly switchable. Channel **I** or **II** is selected with the **CH.I/II-TRIG.I/II** trigger pushbutton in the Y-section. With alternate channel switching (**DUAL** button in the Y-section depressed) and alternate triggering (**ALT.** button in the X-section depressed), the vertical output is consecutively driven (in time with the sweep period) from Channel I and Channel II. The vertical output is not dependent on the vertical trace position. It does not respond to the adjustment of the **Y-POS.I** and **Y-POS.II** controls and to the depressing of the **INV.II** button. The vertical output is DC coupled and has approximately zero level to ground. The bandwidth of the output is approx. 20MHz (with 50Ω termination).

Test patterns

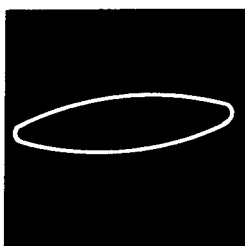
Single Components



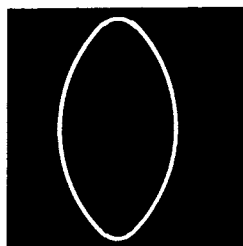
Short circuit



Resistor 510Ω

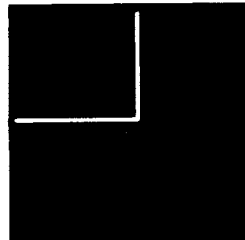


Mains transformer prim.

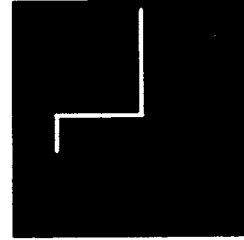


Capacitor 33μF

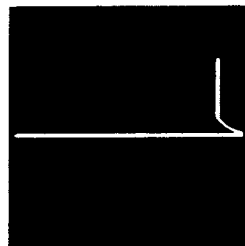
Single Transistors



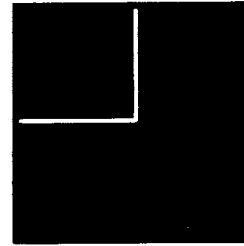
Junction B-C



Junction B-E

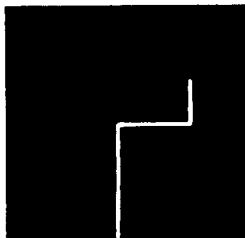


Junction E-C



FET

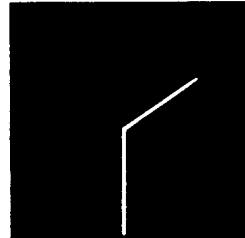
Single Diodes



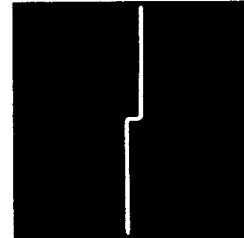
Z-diode under 8V



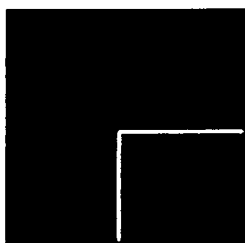
Z-diode beyond 12V



Diode paralleled by 680Ω



2 Diodes antiparallel



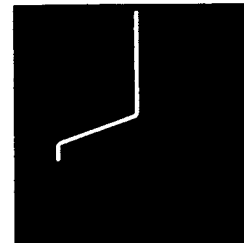
Silicon diode



Germanium diode



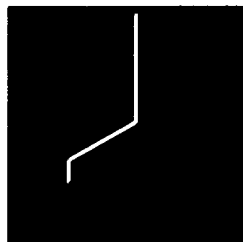
Diode in series with 51Ω



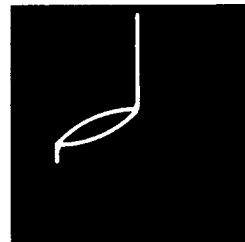
B-E paralleled by 680Ω



Rectifier



Thyristor G + A together



B-E with 1μF + 680Ω



Si-diode with 10μF

Storage Operation

Front-panel controls

All front-panel controls for storage operation are located in the X-field and marked there by a frame.

STOR. pushbutton switches the oscilloscope from real time to storage mode. Further pressure releases the button and switches back to real time mode.

Stored signals (in **HOLD** condition) are retained in the real time mode; they can be displayed on the screen at any time by pushing this button. A time coefficient changed in the meantime has no effect on the stored signals in **HOLD** condition.

STOR. LED: this lamp indicates by shining continuously that the storage mode is switched on. It also indicates by flashing if the **TIME/DIV.** switch is incorrectly set (out of range). The setting is correct, when, using the storage mode, the time coefficient is selected inside the range enclosed by the continuous black line. This range is marked below the scale with **STOR.**

HOLD I and **HOLD II** pushbuttons serve for holding the memory contents of each channel.

If they are depressed, the memory contents are retained until the mains voltage is switched off or fails. New storage is only possible on each channel when the relevant button is released (out).

DOT J. (Dot join) pushbutton if depressed, displays connecting lines between all sample dots on the screen. The signal shape can often be improved with this control. This applies particularly if dot spacings are relatively large (square wave edges, many sine wave cycles). It should be noted that a slight distortion of the signal shape is unavoidable when this function is in use, e.g. rounding off the corners of square wave signals.

SINGLE pushbutton: Used to switch the storage time base from periodic X-deflection (shift of the time position) to single scan mode. A scan with horizontal shift that has not yet been completed when **SINGLE** mode is switched to is not interrupted.

This permits nonrecurring events (e.g. power-up or power-down operations, nonrepetitive signals) to be depicted on the scope screen with uniform brightness and stored for as long as desired.

The SINGLE button only works in storage mode.

RESET pushbutton: When the **SINGLE** button is depressed, this button is used to ready the storage time base for a single scan; the screen is blanked and the **RESET LED** lights up. If an appropriate trigger pulse arrives after this button is pressed, then a single scan is performed; at the same time the CRT is activated and the sampled signal is displayed. **RESET** has no effect if both **HOLD** buttons are depressed.

RESET LED: this lamp indicates storage readiness for single sweep mode. It goes out after storage is finished.

TIME/DIV. rotary switch: when the memory mode is switched on, the analog timebase is switched off.

It is replaced by the digitally generated quartz control timebase. The timebase fine control knob is then out of operation. Because the digital scanning rate is limited to maximum 20MHz, the smallest adjustable time coefficient is **10µs/div.**, the largest **5s/div.** These ranges are framed in black on the **TIME/DIV.** scale.

Storage resolution and operating modes

Vertical resolution

Dot density in each operating mode 8 bit = $2^8 = 256$ dots on 9 div. display height (28 dots per div.). However only 8 div. can be evaluated in the screen graticule.

Horizontal resolution in timebase mode

Channel I alone: Dot density 11 bit = $2^{11} = 2048$ dots on 10 div. display width (200 dots per div.).

Channel II alone: Dot density 11 bit = $2^{11} = 2048$ dots on 10 div. display width (200 dots per div.).

Channel I and II (DUAL button depressed): Dot density 11 bit = $2^{11} = 2048$ dots on 11 div. display width (200 dots per div.) **for each channel.**

Sum and difference CHI ± CHII (ADD button without/with INV. CHII button depressed): Dot density 11 bit = $2^{11} = 2048$ dots on 10 div. display width (200 dots per div.).

Horizontal resolution with X-MAG. x10 button

Depressing the **X-MAG. x10** button produce no effect on the stored data; these remain completely unchanged. However, the display is 10-fold expanded in the X-direction. The dot density changes from 200 to 20 dots per div.

Maximum signal frequency in storage mode

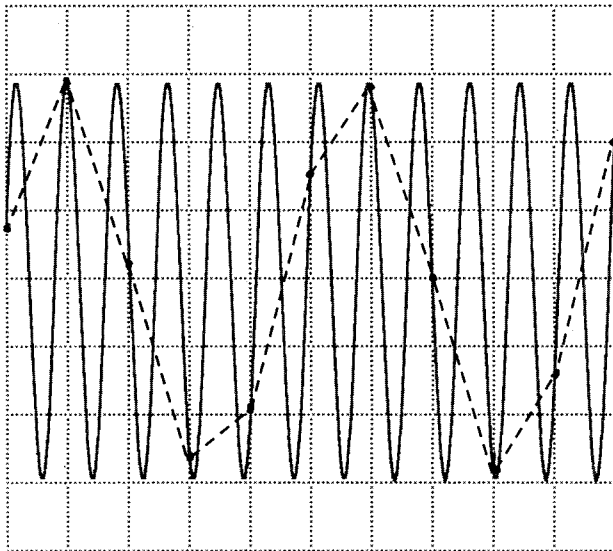
The highest capturable signal frequency cannot be exactly defined, since it depends to a large extent on the waveform and the displayed amplitude (vertical deflection) of the signal. With the start of each sweep, the signal voltage at the inputs of the analog-to-digital converter is briefly measured (sampled), converted to an 8-bit digital value, and written into a RAM. The next sampled value is converted in the same way, but stored at the next RAM address.

The time intervals between the individual signal samples are determined by the time-base setting. At the maximum

sampling rate of 20 megasamples/s (20 MHz) – at the time-base setting $10\ \mu\text{s}/\text{div.}$ – in DUAL mode each analog-to-digital converter is briefly switched to “measurement”, doing so at 50 ns intervals. Assuming that 20 measurements per signal period are sufficient, this yields a minimum period duration of $20 \times 50\ \text{ns} = 1000\ \text{ns}$, corresponding to a maximum signal frequency of 1 MHz. Since the storage depth of memory is 2k – i.e. 2,048 measurements – and the trace is displayed over a width of approx. $10.2\ \text{div.}$, 20 sampling values are depicted within a horizontal deflection of 0.1 div. For evaluation purposes, therefore it is advisable to display each signal period over 1 div. by using **X MAG.x10**.

The displayed trace height also has an effect on the quality of signal representation. For instance, a sine wave depicted with 10 samples per period can be less clearly recognized at a signal height of 8 div. than with an amplitude of 2 div. The function **DOT J.** can be used to interpolate between the dots. This improves waveform recognition.

If the sampling rate is too low aliasing will result (see figure below).



Operating Modes of the Y amplifiers

In principle, the HM 205-3 can work in digital storage mode with the same operating modes as in analog/real time mode. The following can therefore be displayed:

- Channel I single
- Channel II single
- Channels I and II simultaneously
- Sum of both channels
- Difference of both channels.

Deviations of the storage mode from the real time mode are:

- With the **DUAL** button depressed (simultaneous signal display of both channels) the facility for Chop mode does not exist. It is superfluous since the stored image does

not flicker even at low frequencies. The two channels are scanned separately – but simultaneously. However, they are read out from the two single memories after one another (alternately) and displayed on the screen. Pressing the **CHOP.** button has no effect.

- **X-Y and CT operation overwrite storage mode**, e.g. if **STOR.** button is depressed, selecting **XY** or **CT** mode sets the instrument to analog mode.

Storing is possible using two different operating modes. The choice depends upon the kind of the signal and on the measuring task:

- **Refresh** (periodical refreshing = repeated signal scanning and storage),
- **Single** (triggered single sweep)

All operating and stored display modes with storage are dealt with in more detail in the following sections.

Single channel display

Y-field: Do not press any buttons. Select **AC** or **DC** input coupling depending on the signal frequency; apply the input signal to **CH.I** (BNC jack); select the desired trace height with the **VOLTS/DIV.** switch; set the vernier to **CAL.** (turn clockwise all the way); (only if necessary) depress **Y MAG.x5** push button for a deflection coefficient of $1\ \text{mV}/\text{cm}$ (then the **VOLTS/DIV.** switch to $5\ \text{mV}/\text{div.}$); and adjust the vertical position using the **Y-POS.I** knob.

Field beneath the screen: adjust suitable intensity and focus with **INTENS.** and **FOCUS** knobs, do not depress any buttons.

X field: set trace line symmetrical to the graticule with **X-POS.** knob, depress **STOR.** button (storage lamp lights up). Triggering: initially do not depress **AT/NORM.** button, select trigger coupling appropriate to signal repetition frequency. Select normal triggering for frequencies below 10 Hz (depress **AT/NORM.** button, set **DC** or **LF** on the **TRIG.** selector switch, adjust **LEVEL** knob so that **TRIG.** lamp lights up or flashes after each signal period with very low frequencies). Select trigger edge direction (slope) with **+/-** button.

Timebase: select time coefficients on the **TIME/DIV.** switch, however remain within the black framed scale region.

The signal is visible on the screen in this setting in the **refresh mode**. This means that the signal is constantly rescanned and read out again from the memory. If the signal amplitude, waveform, frequency or time coefficient changes, this change is visible on the screen without any

great time loss. If the **HOLD I** button is now depressed, the signal displayed at the moment of depressing is "frozen" and therefore permanently stored. When the **HOLD I** button is depressed, the stored signal can no longer be influenced by any control of the oscilloscope. However, the visible signal on the screen can be expanded by pressing the **X-MAG. x10** button and shifted horizontally with the **X-POS.** knob, and **DOT J.** (dot join) connects sample dots.

The same procedure applies for **Channel II single channel display** and storage. Naturally the **CHI/II-TRIG.I/II** button in the Y section must be depressed. The **HOLD II** button then serves for "freezing" the stored signal.

Instead of the refresh mode, **single sweep** can also be selected by depressing the **SINGLE** and **RESET** buttons without any disadvantage. The scanning, storage and read out process can be repeated immediately by renewed depressing of the **RESET** button. However, if the corresponding **HOLD** button is depressed in addition, the last visible signal is permanently stored. Single sweep is recommended in particular for aperiodic signals or single events, such as a switching on process. Here the **RESET** lamp goes out when the single sweep stops at the right edge of the screen. The correct triggering setting (type, coupling, edge direction, level) is especially important in the case of single sweep, since without triggering the last stored signal remains unchanged in the memory and therefore is also displayed unchanged. Setting triggering with the aid of a simulated signal is recommended under certain circumstances. It is possible to work with automatic triggering here. However, **normal triggering** with suitable **LEVEL** adjustment is more favourable because the trigger point on the signal is determined in this case. Premature triggering by interference pulses with zero-axis crossing can also be prevented in this way.

Dual-trace mode

To obtain **display of dual traces**, press the **DUAL** button. The two channels are then sampled separately but simultaneously. Display of them on the scope screen, however, is successive: first Channel I, then Channel II. The dot density is the same for both channels (in each case 2,000 dots over a trace width of 10 cm). Internal triggering can be stipulated as desired from either Channel I or Channel II with the aid of the **CHI/II-TRIG.I/II** button. To "freeze" both signals, press **both** the **HOLD I** and **HOLD II** buttons. **Chopped mode does not work in storage mode.** When the **DUAL** button is depressed, the **CHOP.** button is deactivated. Like in realtime operation, this option also permits the phase shift between two synchronous signals of the same frequency and waveform to be measured on the scope screen (see page M10). When doing so, the **INV. CHII** button may not be depressed. In addition, **both** of the

input coupling switches must be set either to **AC** or **DC**.

Single scan can also be used in dual-trace mode.

Display of sums and differences

The **algebraic sum** of the input signals of Channel I and Channel II can be stored and displayed by pressing the **ADD** button. When doing so, the **DUAL** button must remain in its released (undepressed) position. Whether the arithmetic sum or the difference between the two signals is derived depends on the relative phase positions and polarity of the signals themselves **and** on the position of the **INV. CHII** button.

Cophasal input voltages:

INVERT button released = sum.

INVERT button depressed = difference.

Input voltages **opposite in phase**:

INVERT button released = difference.

INVERT button depressed = sum.

In **ADD** mode, the vertical trace position depends on the **Y-POS.** settings of **both** channels.

In general, the two signals must be synchronous, but they may also exhibit a constant phase shift. If they are not synchronous (floating), then the image will "breathe" in refresh mode. That means that "freezing" the display by pressing the **HOLD I** button for executing single scans with the **SINGLE** and **RESET** buttons results in a variable amplitude within a certain range, depending on the point in time at which these buttons happen to be pressed. A reflection point or the image of a building or decaying oscillation can result, for example. However, the envelope does not follow either a sinusoidal or an exponential function; it must be treated as an oscillation with multiple modulations. The **HOLD II** button has no function in **ADD** mode.

Reference line display

It is sometimes necessary to **clear the contents of memory** and only display one or – in dual-trace mode – both **baselines** and to align it/them at certain horizontal graticule lines. Automatic triggering is required for this (**do not depress** the **AT/NORM.**, **SINGLE** or **HOLD** buttons; set **1 ms/div.**) In addition, the input coupling switch must be set to **GD**. Now the **Y-POS.I** and/or **Y-POS.II** switch can be used to vary the vertical position of the baseline. This can be done irregardless of any applied input signals.

Horizontal deflection of low-frequency signals

Some users of the HM205-3 will be unaccustomed to measuring signal frequencies below 10 Hz. As a result, mis-

takes are easily made at the beginning that, however, can be avoided by observing the following instructions. Attention is also called here to certain wait times.

Y-inputs: It should be obvious that the input coupling switch for the signal input must be set to **DC**. In the **AC** setting, the signal attenuation is -3dB at approx. 1.6Hz , and is even larger at lower frequencies. If a very high DC voltage is superimposed on the signal, then an **external capacitor** with appropriate capacitance, voltage and insulation can be inserted before the input leading the **DC** coupling.

Triggering: At signal frequencies below 10Hz , automatic triggering no longer functions. In these cases, **normal triggering** with **LEVEL** setting must be switched on by pressing the **AT/NORM.** button. Here, only the **DC** and **LF** positions can be used for trigger coupling. In general, the **LF** low-pass coupling is preferable. The **HOLD-OFF** time setting is deactivated in storage mode.

At the slowest horizontal deflection in storage mode the time coefficient is **5s/div**. This results in 50s being displayed over a screen width of 10div . In other words, it is just possible to display one period of a signal at $1:50\text{s} = 0.02\text{Hz} = 20\text{mHz}$. Nevertheless, under certain circumstances it may be necessary to wait somewhat longer than 50s for a modified signal to be stored again and redisplayed. This can make it much more difficult to find the correct **LEVEL** setting for very small signal frequencies and small signal and/or screen amplitudes. A trick can be useful here: set the marking on the top of the **LEVEL** knob so that it points roughly to the second "E" in the word **LEVEL** above it. Now triggering will occur roughly where the signal reaches zero voltage, and is therefore very sensitive (to noise and disturbances as well). But at least the signal can be viewed. Turning the **LEVEL** knob slightly clockwise shifts the trigger point on the signal trace **on the left-hand edge of the screen** upwards, a counterclockwise turn pushes it downwards. The same thing holds when changing the slope with **+/-** button. Other trigger setting possibilities include simulation of the expected signal, external triggering, and "external" triggering with a momentarily unused channel in **DUAL** mode by switching the **CHI/II-TRIG. I/II** button to the trigger channel but not necessarily with display of this channel (the trace can be pushed off the screen using the **Y-POS.** knob).

Trigger lamp: With low-frequency signals (below approx. 10Hz) when the **LEVEL** control is appropriately set, the trigger indicator only lights up very briefly, doing so each time that the set trigger point on the signal curve is passed. If, for example, 3 periods of the signal are displayed on the scope screen, then the trigger indicator will light up three times during each sweep. However, only the first time triggers the time base. Triggering is blocked at the next two flashes. After build-up and return to zero of the sawtooth voltage ramp, the next trigger pulse then restarts the sweep gene-

erator. Multiple indication pulses also occur with single scans, with the difference that horizontal deflection ceases after a single sweep.

Single scan: By depressing the **SINGLE** button, single-scan mode is selected. If a sweep is taking place when this is done, then it is finished first. The **RESET**-LED then extinguishes, and the contents of memory remain intact. This storage method has the advantage, particularly in **DUAL** mode, that both channels are simultaneously stored, instead of during the sweep (with the risk of reflection points). If it is not wished to store any additional events, then the **HOLD** button should be pressed.

If a single scan is desired (**HOLD** button not depressed), then press the **RESET** button. This blanks the screen, and the **RESET** LED lights up. If a scan is in process when this is done, it is interrupted.

If a signal now triggers the timebase, then the screen is simultaneously switched on. When the scan has been finished, the **RESET** LED extinguishes. At this point, the signal can be stored with **HOLD** or else **RESET** used to prepare for a new scan.

As compared to periodic triggering, this display mode possesses no qualitative or quantitative disadvantages; the scan type selected thus depends only on the measurement task at hand.

Single-scan triggering is **only** possible in storage mode. If the **SINGLE** button is still depressed when switching from storage to real-time mode, then this does not have any effect at all on sequential triggering in realtime operation. Nor is operation disturbed if the scope is then be switched back to storage mode. It is not possible to perform a new scan until the **RESET** button has been pressed. The most recently stored image reappears on the scope screen.

HAMEG interface

The rear panel of the HM205-3 contains a 26-pin connector which can be used to extract the data stored in memory. The data can be accessed in either digital form or converted to analog signals.

With the HAMEG Graphic Printer HM8148-2, the digital data can be read out and documented as hardcopy. If it is wished to transfer the data over an IEEE-488 bus to an IEEE-488 bus controller, then it is necessary to connect the HAMEG IEEE-488 interface. Another HAMEG interface is available for output to an x-y or y-t recorder; this interface accesses the x and y analog outputs.

Only one interface can be operated at a time.

Before connecting a device or interface, the oscilloscope must be powered down.

The interface is only active in storage mode.

Safety note

All connections of the interface are electrically connected with the storage module. Oscilloscopes belonging to Safety Class I with safety isolating transformer (Safety Class II) and oscilloscopes belonging to Safety Class II are connected with the grounded wire by way of the interface if Safety Class I devices are connected either directly or by way of the interface. As a result of this connection with the grounded wire, the oscilloscope is operated under Safety Class I conditions.

Measurements of high measurement reference potentials are therefore not possible, and run the risk of damaging the oscilloscope, the interface, and any connected devices.

If the safety instructions are not followed (see also "Safety" on page M 1), then any resulting damages to HAMEG products are excluded from the warranty. Nor does HAMEG assume any liability for injury to persons or damage to other makes of equipment.

Advice

If the Oscilloscope HM205-3 is connected to the HAMEG Graphic Printer HM8148-2, the ROM version installed in the printer must be V2.3 (or higher). Otherwise the error message

HAMEG - SCOPE IS NOT CONNECTED!

will be printed.

In this case contact your distributor.

Switching on and initial setting

Connect instrument to power outlet, depress red **POWER** button. LED indicates operating condition.

Case, chassis and all measuring terminals are connected to the safety earth conductor (Safety Class I).

Do not depress any further button. **TRIG.** selector switch to **AC**, **TV** switch to **OFF**.

AT/NORM. button released, **CH.I** input coupling switch to **GD**, set **TIME/DIV.** switch to **50 μs/cm**.

Adjust **INTENS.** control for average brightness.

Center trace on screen using **X-POS.** and **Y-POS.I** controls. Then focus trace using **FOCUS** control.

Vertical amplifier mode

Channel I: All buttons in the Y section in out position.

Channel II: **CH.I/II** button depressed.

Channel I and II: **DUAL** button depressed. Alternate channel switching: **CHOP. (ADD)** button in out position.

Signals < 1 kHz or time coefficient ≥ 1 ms/cm: **CHOP.** button depressed.

Channel I+II (sum): depress only **ADD** button.

Channel I – II (difference): depress **ADD** and **INV. CH.II** button.

Triggering mode

Select trigger mode with **AT/NORM.** button:

AT = Automatic Triggering ≥ 10 Hz to 20 MHz (out position). **NORM. = Normal Triggering** depressed.

Trigger edge direction: select slope with **+/-** button.

Internal triggering: select channel with **TRIG. I/II(CH. I/II)** button.

External triggering: **EXT.** button depressed; sync. signal (0.3V_{pp} to 6V_{pp}) to **TRIG. INP.** socket.

Line triggering: **TRIG.** selector switch to \sim .

Select trigger coupling with **TRIG.** selector switch. Trigger frequency ranges:

AC: ≥ 10 Hz to 20 MHz; **DC:** DC to 20 MHz; **HF:** 1.5 kHz to 40 MHz; **LF:** DC to 1 kHz.

Composite video signal with line or horizontal frequency: **TV** switch to **TV: H+** or **H-**.

Composite video signal with frame or vertical frequency: **TV** switch to **TV: V+** or **V-**.

Select **TV** switch to **+** (sync. pulse above) or **-** positions (sync. pulse below).

Pay attention to trigger indicator: LED below the **TRIG.** selector switch.

Storage mode

Mode selector switch: **STOR.** button.

STOR. LED lights continuously in storage mode.

Memory hold condition:

Channel I: **HOLD I** button depressed.

Channel II: **HOLD II** button depressed.

Channels I and II (DUAL): **HOLD I and HOLD II** buttons depressed.

Algebraic addition (ADD): **HOLD I** button depressed.

Single sweep: first **SINGLE** button, after that **RESET** button depressed (screen blanked).

RESET LED lights at trigger readiness and during single sweep.

RESET LED is dark, when storage is terminated.

Measurements

Apply test signal to the vertical input connectors of **CH. I** and/or **CH. II**.

Before use, calibrate attenuator probe with built-in square wave generator **CAL.**

Switch input coupling to **AC** or **DC**.

Adjust signal to desired display height with attenuator switch.

Select time coefficient on the **TIME/DIV.** switch.

Incorrect time coefficient setting in real time mode or storage mode is indicated by the flashing **STOR.** LED.

Set trigger point with **LEVEL** knob for Normal Triggering.

Trigger complex or aperiodic signals with longer **HOLD-OFF**-time.

Amplitude measurement with Y fine control at left stop (**CAL.**).

Time measurement with time fine control at left stop (**CAL.**).

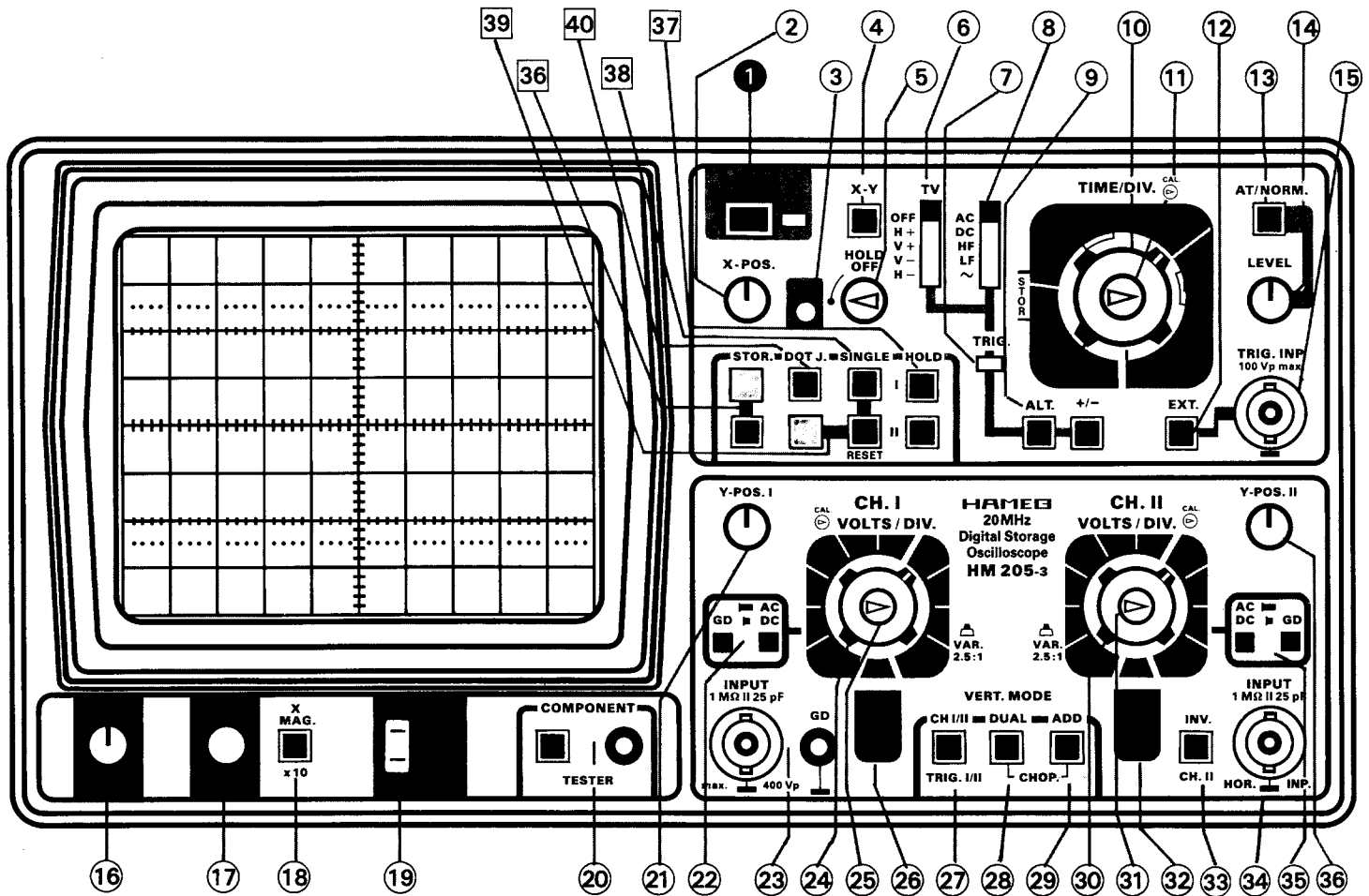
Time expansion x10 with **X-MAG. x10** button depressed.

External horizontal sweep (**X-Y mode**) with **X-Y** button depressed (X input: **CH. II**).

Component Tester

Press **COMPONENT TESTER** button. Connect both component terminals to **CT** and ground jacks.

In-circuit test: Circuit under test must be disconnected from battery or power (pull out power plug), signals and ground (earth). Remove all signal connections to **HM205-3** (cable, probe), then start testing.



Front Panel Elements HM205-3 (Brief Description – Front View)

Element	Function	Element	Function
① POWER on/off (pushbutton + LED)	Turns scope on and off. LED indicates operating condition.	②② DC-AC-GD (pushbutton switches)	Selects input coupling of the CH. I Vertical Amplifier. AC/DC depressed: direct coupling; AC/DC released: Signal is capacitively coupled (DC is blocked). GD depressed: Signal is disconnected, amplifier input is grounded.
② X-POS. (knob)	Controls horizontal position of trace.	②③ INPUT (CH. I) (BNC-connector) GD (4 mm socket)	CH. I signal input. Input impedance 1M Ω 25 pF. Separate ground jack.
③ TR (pot)	Trace rotation. To align trace with horizontal graticule line. Compensates influence of earth's magnetic field.	②④ VOLTS/DIV. (rotary switch)	CH. I input attenuator. Selects input sensitivity in mV/cm or V/cm in 1-2-5 sequence.
④ X-Y (pushbutton switch)	Selects X-Y operation, stops sweep. X signal via CH. II. Attention! Phosphor burn-in without X signal.	②⑤ VAR. GAIN (center knob)	Continuously variable gain between the calibrated settings of the VOLTS/DIV switch. Decreases sensitivity 1:2.5. Cal. position: cw.
⑤ HOLD OFF (knob)	Controls holdoff-time between sweeps. Normal position = full ccw.	②⑥ Y MAG. x5 (pushbutton switch)	When depressed, increasing of Y-sensitivity 5 fold (max. 1 mV/cm).
⑥ TV (lever switch)	TV-Sync-Separator. OFF = Normal operation. TV: H \pm = Line or horizontal frequency. TV: V \pm = Frame or vertical frequency.	②⑦ CH I/II-TRIG. I/II (pushbutton switch)	Button released: CH. I only and internal triggering from CH. I. Button depressed: CH. II only and internal trig. from CH. II. In DUAL and ADD mode: Button selects internal trigger signal.
⑦ TRIG. (LED)	LED lights, if sweep is triggered.	②⑧ DUAL (pushbutton switch)	<div style="display: flex; align-items: center;"> <div style="margin-right: 10px;"> <p>②⑨ ADD (pushbutton switch)</p> </div> <div style="font-size: 2em; margin-right: 10px;">}</div> <div style="text-align: center;"> <p>CHOP.</p> </div> </div> <p>Button released: One channel only. Button depressed: CH. I and CH. II in alternate mode. DUAL and ADD buttons depressed: CH. I and CH. II in chopped mode.</p>
⑧ TRIG. AC-DC-HF-LF- \sim (lever switch)	Trigger selector AC: 10Hz – 10MHz. DC: 0 – 10MHz. HF: 1.5 kHz – 40MHz. LF: 0 – 1 kHz. \sim : Internal line triggering.	③⑩ VOLTS/DIV. (rotary switch)	
⑨ ALT. (pushbutton switch) +/- (pushbutton switch)	Triggering alternates between CH. I and CH. II (Dual Channel Mode only). Selects the slope of the trigger signal. + = rising edge; - = falling edge.	③① VAR. GAIN (center knob)	CH. II input attenuator. Selects input sensitivity in mV/cm or V/cm in 1-2-5 sequence.
⑩ TIME/DIV. (rotary switch)	Selects timebase speeds from 0.2 μ s/cm to 5 s/cm.	③② Y MAG. x5 (pushbutton switch)	CH. II input attenuator. Selects input sensitivity in mV/cm or V/cm in 1-2-5 sequence.
⑪ Variable (center knob)	Timebase variable control. Decreases timebase sweep speed 1:2.5 (real time only). Cal. position = full clockwise.	③③ INV. CHII (pushbutton switch)	CH. II input attenuator. Selects input sensitivity in mV/cm or V/cm in 1-2-5 sequence.
⑫ EXT. (pushbutton switch)	Button released = internal triggering. Button depressed = external triggering, trigger signal via TRIG. INP. ⑬.	③④ DC-AC-GD (pushbutton switches)	Continuously variable gain for CH. II. Specifications like ②⑤.
⑬ AT/NORM. (pushbutton switch)	Button released = autom. triggering, trace visible without input signal. Button depressed = normal triggering with LEVEL ⑭ adjustment, trace invisible without signal.	③⑤ INPUT CH. II (BNC-connector)	When depressed, increasing of Y-sensitivity 5 fold (max. 1 mV/cm).
⑭ LEVEL (knob)	To adjust trigger point, if AT/NORM. button ⑬ is depressed.	③⑥ Y-POS.II (knob)	Inversion of CH. II display. In combination with ADD button ②⑨ = algebraic addition. In X-Y mode inoperative.
⑮ TRIG. INP. (BNC connector)	Input for external trigger signal, if button ⑫ is depressed.	③⑦ DC-AC-GD (pushbutton switches)	Selects input coupling of the CH. II Vertical Amplifier. (See ②②).
⑯ INTENS. (knob)	Intensity control for trace brightness.	③⑧ INPUT CH. II (BNC-connector)	Selects input coupling of the CH. II Vertical Amplifier. (See ②②).
⑰ FOCUS (knob)	Focus control for trace sharpness.	③⑨ Y-POS.II (knob)	CH. II signal input and input for horizontal deflection in X-Y mode.
⑱ X-MAG. x10 (pushbutton switch)	10:1 expansion in the X direction. Max. resolution 20 ns/cm.	④① DOT J. (pushbutton switch)	Controls vertical position of CH. II display. In X-Y mode inoperative.
⑲ CALIBRATOR 0.2V-2V (4,9 mm eyelets)	Calibrator output eyelets for probes 10:1 = 0.2V _{pp} , 100:1 = 2V _{pp} .		
⑳ COMPONENT TESTER (pushbutton switch and 4 mm jack)	Button depressed: CT in operation. Two-terminal measurement: compon. connection to CT jack and ground jack.		
㉑ Y-POS.I (knob)	Controls vertical position of CH. I display.		

Elements for storage mode:

③⑥ STOR. (pushbutton + LED)	Selects real time or storage mode. LED indicates storage mode. If timebase range is wrong, LED is flashing.
③⑦ HOLD I / II (pushbutton switches)	HOLD I: Save memory CH. I. HOLD II: Save memory CH. II.
③⑧ SINGLE (pushbutton switch)	Button depressed: Single sweep. Periodic sweep is stopped abruptly.
③⑨ RESET (pushbutton + LED)	Button depressed: Single sweep ready for triggering. LED indicates readiness, goes out after storage.
④① DOT J. (pushbutton switch)	Button depressed: connects sample points

Test Instructions

General

These Test Instructions are intended as an aid for checking the most important characteristics of the HM205-3 at regular intervals without the need for expensive test equipment. Resulting corrections and readjustments inside the instrument, indicated by the following tests, are described in the Service Instructions or on the Adjusting Plan. They should only be undertaken by qualified personnel.

As with the First Time Operation instructions, care should be taken that all knobs with arrows are set to their calibrated positions. None of the pushbuttons should be depressed. **TRIG.** selector switch to **AC**, **TV** switch to **OFF**. It is recommended to switch on the instrument for about 15 minutes prior to the commencement of any check.

Cathode-Ray Tube: Brightness and Focus, Linearity, Raster Distortions

Normally, the CRT of the HM205-3 has very good brightness. Any reduction of this brightness can only be judged visually *in the real time mode*. However, decreased brightness may be the result of wrong setting or reduced high voltage. The latter is easily recognized by the greatly increased sensitivity of the vertical amplifier. Wrong setting means, that the controls **HOLDOFF** and *timebase variable* should be turned to the left stop; the **X-MAG. x10** button should be released; a medium time coefficient should be selected; line triggering (\sim position) should be used only with a suitable **TIME/DIV.** switch setting (e.g. **2ms/div.**). The control range for maximum and minimum brightness (intensity) must be such that the beam just disappears before reaching the left hand stop of the **INTENS.** control (particularly when the **X-Y** button is depressed), while with the control at the right hand stop the focus and the line width are just acceptable.

With maximum intensity the timebase fly-back must on no account be visible. Visible trace fault without input signal: bright dot on the left side – **or** – decreasing brightness from left to right or shortening of the baseline. (Cause: Incorrect Unblanking Pulse.) It should be noted that with wide variations in brightness, refocusing is always necessary. Moreover, with maximum brightness, no “pumping” of the display must occur. If pumping does occur, it is normally due to a fault in the regulation circuitry for the high voltage supply. The presetting pots for the high voltage circuit, minimum and maximum intensity, are only accessible inside the instrument (see Service Instructions).

A certain out-of-focus condition in the edge zone of the screen must be accepted. It is limited by standards of the CRT manufacturer. The same is valid for tolerances of the orthogonality, the undeflected spot position, the non-linearity and the raster distortion in the marginal zone of the screen in accordance with international standards (see CRT

data book). These limit values are strictly supervised by HAMEG. The selection of a cathode-ray tube without any tolerances is practically impossible.

Astigmatism Check

Check whether the horizontal and vertical sharpness of the display are equal. This is best seen by displaying a square-wave signal with the repetition rate of approximately 1 MHz. Focus the horizontal tops of the square-wave signal at normal intensity, then check the sharpness of the vertical edges. If it is possible to improve this vertical sharpness by turning the **FOCUS** control, then an adjustment of the astigmatism control is necessary. A potentiometer of 50k Ω (see Adjusting Plan) is provided inside the instrument for the correction of astigmatism (see Service Instructions). A certain loss of marginal sharpness of the CRT is unavoidable; this is due to the manufacturing process of the CRT.

Symmetry and Drift of the Vertical Amplifier

Both of these characteristics are substantially determined by the input stages of the amplifiers.

The symmetry of both channels and the vertical final amplifier can be checked by inverting Channel I and II (depress the corresponding **INVERT** pushbutton). The vertical position of the trace should not change by more than 0.5 div. However, a change of 1 div. is just permissible. Larger deviations indicate that changes have occurred in the amplifier.

A further check of the vertical amplifier symmetry is possible by checking the control range of the **Y-POS.** controls. A sine-wave signal of 10-100kHz is applied to the amplifier input. When the **Y-POS.** control is then turned fully in both directions from stop to stop with a display height of approximately **8 div.**, the upper and lower positions of the trace that are visible should be approximately of the same height. Differences of up to 1 div. are permissible (input coupling should be set to **AC**).

Checking the drift is relatively simple. **Ten minutes after switching on the instrument**, set the baseline exactly on the horizontal center line of the graticule. The beam position must not change by more than **0.5 div.** during the following hour.

Calibration of the Vertical Amplifier

Two square-wave voltages of **0.2V_{pp}** and **2V_{pp} ± 1%** are present at the output eyelets of the calibrator (**CAL.**). If a direct connection is made between the **0.2V** output and the input

of the vertical amplifier (e.g. using a **x1 probe**), the displayed signal in the **50mV/div.** position (variable control to **CAL.**) should be **4 div.** high (**DC** input coupling). Maximum deviations of 0.12 div. (3%) are permissible. If a **x10 probe** is connected between the **2V** output socket and Y input, the same display height should result. With higher tolerances it should first be investigated whether the cause lies, within the amplifier or in the amplitude of the square-wave signal. On occasions it is possible that the probe is faulty or incorrectly compensated. If necessary the measuring amplifier can be calibrated with an accurately known DC voltage (**DC** input coupling). The trace position should then vary in accordance with the deflection coefficient set.

With variable control at the attenuator switch fully counter-clockwise, the input sensitivity is decreased at least by the factor 2.5 in each position. In the **50mV/div.** position, the displayed calibrator signal height should vary from 4 div. to at least 1.6 div.

Transmission Performance of the Vertical Amplifier

The transient response and the delay distortion correction can only be checked with the aid of a square-wave generator with a fast risetime (**max. 5ns**). The signal coaxial cable (e.g. HZ34) must be terminated at the vertical input of the oscilloscope with a resistor equal to the characteristic impedance of the cable (e.g. with HZ22). Checks should be made at 100Hz, 1kHz, 10kHz, 100kHz and 1MHz, the deflection coefficient should be set at **5mV/div.** with **DC** input coupling (Y variable control in **CAL.** position). In so doing, the square pulses must have a flat top without ramp-off, spikes and glitches; no overshoot is permitted, especially at 1MHz and a display height of **4-5 div.** At the same time, the leading top corner of the pulse must not be rounded. In general, no great changes occur after the instrument has left the factory, and it is left to the operator's discretion whether this test is undertaken or not. A suited generator for this test is the HZ60 from HAMEG.

Of course, the quality of the transmission performance is not only dependent on the vertical amplifier. **The input attenuators**, located in the front of the amplifier, **are frequency-compensated in each position.** Even small capacitive changes can reduce the transmission performance. Faults of this kind are as a rule most easily detected with a square-wave signal with a low repetition rate (e.g. 1kHz). If a suitable generator with max. output of $40V_{pp}$ is available, it is advisable to check at regular intervals the deflection coefficients on all positions of the input attenuators and readjust them as necessary. A compensated **2:1 series attenuator** (e.g. HZ23) is also necessary, and this must be matched to the input impedance of the oscilloscope. This attenuator

can be made up locally. It is important that this attenuator is shielded. For local manufacture, the electrical components required are a $1M\Omega \pm 1\%$ resistor and, in parallel with it, a trimmer 3-15pF in parallel with approx. 20pF. One side of this parallel circuit is connected directly to the input connector of CH.I or CH.II and the other side is connected to the generator, if possible via a low-capacitance coaxial cable. The series attenuator must be matched to the input impedance of the oscilloscope in the **5mV/div.** position (variable control to **CAL.**, **DC** input coupling; square tops exactly horizontal; no ramp-off is permitted). This is achieved by adjusting the trimmer located in the 2:1 attenuator. **The shape of the square-wave should then be the same in each input attenuator position.**

Operating Modes: CH.I/II, DUAL, ADD, CHOP., INVERT and X-Y Operation

On depressing the **DUAL** pushbutton, two traces must appear immediately. On actuation of the **Y-POS.** controls, the trace positions should have no effect on each other. Nevertheless, this cannot be entirely avoided, even in fully serviceable instruments. When one trace is shifted vertically across the entire screen, the position of the other trace must not vary by more than 0.05 div.

A criterion in chopped operation is trace widening and shadowing around and within the two traces in the upper or lower region of the screen. Set **TIME/DIV.** switch to **2 μ s/div.**, depress the **DUAL** and **CHOP.** pushbutton, set input coupling of both channels to **GD** and advance the **INTENS.** control fully clockwise. Adjust **FOCUS** for a sharp display. With the **Y-POS.** controls shift one of the traces to a +2 div., the other to a -2 div. vertical position from the horizontal center line of the graticule. Do not try to synchronize (with the time variable control) the chop frequency (0.5MHz)! Then alternately release and depress the **CHOP.** pushbutton. Check for negligible trace widening and periodic shadowing in the chopped mode.

It is important to note that in the **I+II** add mode (only **ADD** depressed) or the **+I-II** difference mode (**INV. CHII** button depressed in addition) the vertical position of the trace can be adjusted by using **both** the Channel I and Channel II **Y-POS.** controls.

In X-Y Operation (**X-Y** pushbutton depressed), the sensitivity in both deflection directions will be the same. When the signal from the built-in square-wave generator is applied to the input of Channel II, then, as with Channel I in the vertical direction, there must be a horizontal deflection of **4 div.** when the deflection coefficient is set to **50mV/div.** position (variable control set to its **CAL.** position, **X-MAG. x10** button in out position). The check of the mono channel display with the **CHI/II** button is unnecessary; it is contained indirectly in the tests above stated.

Triggering Checks

The internal trigger threshold is important as it determines the display height from which a signal will be stably displayed. It should be approx. 0.3-0.5 div. for the HM205-3. An increased trigger sensitivity creates the risk of response to the noise level in the trigger circuit, especially when the sensitivity of the vertical input is increased by pressing **Y-MAG. x5** button. This can produce double-triggering with two out-of-phase traces. Alteration of the trigger threshold is only possible internally. Checks can be made with any **sine-wave voltage** between 50Hz and 1 MHz. The **AT/NORM.** button should be in out position (**Automatic Triggering**). Following this it should be ascertained whether the same trigger sensitivity is also present with Normal Triggering (**AT/NORM.** button depressed). In this trigger mode, a **LEVEL** adjustment is necessary. The checks should show the same trigger threshold with the same frequency. On depressing the **+/-** slope button, the start of the sweep changes from the positive-going to the negative-going edge of the trigger signal. As described in the Operating Instructions, the trigger frequency range is dependent on the trigger coupling selected. For higher frequencies the **HF** coupling mode must be selected. In this mode, triggering up to at least 40MHz (sine-wave) is possible. Internally the HM205-3 should trigger perfectly at a display height of approx. 5 mm, when the appropriate trigger coupling mode is set.

For external triggering (**EXT.** button depressed), the **EXT. TRIG.** input connector requires a signal voltage of at least **0.3 V_{pp}**, which is in synchronism with the Y input signal. The voltage value is dependent on the frequency and the trigger coupling mode (**AC-DC-HF-LF**).

Checking of the TV triggering is possible with a video signal of any given polarity. Use the **TV: H** positions of the **TV** switch for triggering on **line** or horizontal frequency (**TIME/DIV.** switch to 20 or 10 μ s/div). The **TV: V** positions are required for **frame** or vertical frequency (**TIME/DIV.** switch to 5 or 2 ms/div). The **+** and **-** positions at V and H must correspond to the sync pulse.

Perfect TV triggering is achieved, when in both display modes the amplitude of the complete TV signal (from white level to the top of the line sync pulse) is limited between 0.8 and 8 div.

The display should not shift horizontally during a change of the trigger coupling from **AC** to **DC** with a **sine-wave signal without DC offset**.

If both vertical inputs are **AC** coupled to the same signal and both traces are brought to coincide exactly on the screen, when working in the **alternate dual channel mode**, then no change in display should be noticeable when the

CH.I/II-TRIG.I/II button is depressed or released or when the **TRIG.** selector switch is changed from **AC** to **DC** position.

Checking of the line/mains frequency triggering (50-60Hz) is possible, when the input signal is time-related (multiple or submultiple) to the power line frequency (**TRIG.** selector switch to \sim). There is no trigger threshold in this trigger mode. Even very small input signals are triggered stably (e.g. ripple voltage). For this check, use an input of approx. 1V. The displayed signal height can then be varied by turning the respective input attenuator switch and its variable control.

Timebase

Before checking the timebase it should be ascertained that the **trace length is 10.2 div. in all time ranges**. If not, it can be corrected with the potentiometer for sweep amplitude. This adjustment should be made in **STOR.** mode, with time mark signal 20 kHz at the instruments input and **TIME/DIV.** switch in 50 μ s/div. position. Each time mark has to coincide with a vertical graticule line. The **X-MAG. x10** button should be in out position. This condition should be maintained until the variation ranges of these controls are checked. Release **STOR.** pushbutton.

Check that the **sweep runs from the left to the right side of the screen** (**TIME/DIV.** switch to **0.2s/div.**; **X-POS.** control in mid-range). This check is only necessary after changing the cathode-ray tube.

If a precise marker signal is not available for checking the **Timebase time coefficients**, then an accurate sine-wave generator may be used. Its frequency tolerance should not be greater than $\pm 1\%$. The timebase accuracy of the HM205-3 is given as $\pm 3\%$, but as a rule it is considerably better than this. For the simultaneous checking of timebase linearity and accuracy at least 10 oscillations, i.e. **1 cycle every div.**, should always be displayed. For precise determination, set the peak of the first marker or cycle peak exactly behind the first vertical graticule line using the **X-POS.** control. Deviation tendencies can be noted after some of the marker or cycle peaks.

The **20** and **10 ms/div.** ranges of the **TIME/DIV.** switch can be checked very precisely with line frequency (**50 Hz only**). On the **20 ms/div.** range a cycle will be displayed every div., while on the **10 ms/div.** range it will be every 2 div.

If a precise Time Mark Generator is used for checking, Normal Triggering (**AT/NORM.** button depressed) and **LEVEL** control adjustment is recommended.

The following table shows which frequencies are required for the particular ranges.

Real time ranges	Storage ranges
	5 s/div. – 0.2 Hz
	2 s/div. – 0.5 Hz
	1 s/div. – 1 Hz
	0.5 s/div. – 2 Hz
0.2 s/div. – 5 Hz	0.2 s/div. – 5 Hz
0.1 s/div. – 10 Hz	0.1 s/div. – 10 Hz
50 ms/div. – 20 Hz	50 ms/div. – 20 Hz
20 ms/div. – 50 Hz	20 ms/div. – 50 Hz
10 ms/div. – 100 Hz	10 ms/div. – 100 Hz
5 ms/div. – 200 Hz	5 ms/div. – 200 Hz
2 ms/div. – 500 Hz	2 ms/div. – 500 Hz
1 ms/div. – 1 kHz	1 ms/div. – 1 kHz
0.5 ms/div. – 2 kHz	0.5 ms/div. – 2 kHz
0.2 ms/div. – 5 kHz	0.2 ms/div. – 5 kHz
0.1 ms/div. – 10 kHz	0.1 ms/div. – 10 kHz
50 μ s/div. – 20 kHz	50 μ s/div. – 20 kHz
20 μ s/div. – 50 kHz	20 μ s/div. – 50 kHz
10 μ s/div. – 100 kHz	10 μ s/div. – 100 kHz
5 μ s/div. – 200 kHz	
2 μ s/div. – 500 kHz	
1 μ s/div. – 1 MHz	
0.5 μ s/div. – 2 MHz	

The **time variable control** range can be checked in the analog mode only. The sweep speed becomes slower by turning this variable control counter-clockwise to its left stop.

When the **X-MAG. x10** button is depressed, a marker or cycle peak will be displayed every 10 div. $\pm 5\%$ (with variable control in **CAL.** position; measurement in the **5 μ s/div.** range). The tolerance is better measurable in the **50 μ s/div.** range (one cycle every 1 div).

Component Tester

After pressing the **CT** button, a horizontal straight line has to appear immediately, when the **CT** socket is open. The length of this trace should be approx. **8 div.** With connection of the **CT** socket to one of the ground jacks in the Y-Section, a vertical straight line with approx. 6 div. height should be displayed. The above stated measurements have some tolerances. They are dependent among other things on the mains/line voltage.

Y-Output

A check of the **Y** output (rear panel) is possible on the screen by means of the calibrator signal using the dual channel mode. The calibrator socket **0.2V/1 kHz** is connected to the **CH.I** input via the (adjusted) **x10** probe. The **Y** output is connected to the **CH.II** input via a BNC-BNC cable HZ34 with 50 Ω Through-Termination between cable and input socket.

Settings: **CH.I** attenuator to **5 mV/div.**, **CH.II** to **GD**, time coefficient **0.5 ms/div.**, **TRIG.** selector to **AC**, **AT** automatic triggering, no button depressed. A square-wave signal is visible with **4 div.** display height. The tops of the square-wave are adjusted to ± 2 div. from the horizontal center line of the graticule using the **Y-POS.I** control. Then the **DUAL** button has to be pressed. The appearing second trace (without signal) is adjusted to -2 div. using the **Y-POS.II** control. Now the **CH.II** input coupling is set to **DC**. The signal across the **Y** output appears with the same phase position as the calibrator signal via Channel I. As well as the DC offset (e.g. $+0.2$ div. $\triangleq +20$ mV) the amplitude (e.g. 1.9 div. \triangleq **0.19 Vpp**) of the **Y** output can be calculated as $0.19\text{V} : 4 \text{ div.} =$ **47.5 mV/div.** The value is doubled without 50 Ω termination. The check may be completed with an exchange of both vertical channels and depressing the **CH.I/II** button.

Trace Alignment

The CRT has an admissible angular deviation $\pm 5^\circ$ between the X deflection plane D1-D2 and the horizontal center line of the internal graticule. This deviation, due to tube production tolerances (and only important after changing the CRT), and also the influence of the earth's magnetic field, which is dependent on the instrument's North orientation, are corrected by means of the **TR** potentiometer. In general, the trace rotation range is asymmetric. It should be checked, whether the baseline can be adjusted somewhat sloping **to both sides** round about the horizontal center line of the graticule. With the HM205-3 in its closed case, an angle of rotation $\pm 0.57^\circ$ (0.1 div. difference in elevation per 10 div. graticule length) is sufficient for the compensation of the earth's magnetic field.

Mains/Line Voltage Checks

If a variable mains/line transformer is available, the characteristics of the HM205-3 on power voltage fluctuations of $\pm 10\%$, referred to the voltage indicated by a triangle above the fuse holder (rear panel), should be checked. Under these conditions no variations should be detected on the display in either the vertical or horizontal axis.

Service Instructions

General

The following instructions are intended as an aid for the electronic technician, who is carrying out readjustments on the HM205-3, if the nominal values do not meet the specifications. These instructions primarily refer to those faults, which were found after using the Test Instructions. However, this work should only be carried out by properly qualified personnel. **This concerns the digital storage part in particular.** For any further technical information call or write to HAMEG. Addresses are provided at the back of the manual. It is recommended to use only the original packing material, should the instrument be shipped to HAMEG for service or repair (see also Guarantee, page M2).

Instrument Case Removal

The rear cover can be taken off after unplugging the power cord's triple-contact connector and after two cross recessed pan head screws (M4x30mm) with two washers on it have been removed. While the instrument case is firmly held, the entire chassis with its front panel can be withdrawn forward. When the chassis is inserted into the case later on, it should be noticed that the case has to fit under the flange of the front panel. The same applies for the rear of the case, on which the rear cover is put.

Caution

During opening or closing of the case, the instrument must be disconnected from all power sources for maintenance work or a change of parts or components. If a measurement, trouble-shooting, or an adjustment is unavoidable, this work must be done by a specialist, who is familiar with the risk involved.

When the instrument is set into operation after the case has been removed, attention must be paid to the acceleration voltage for the CRT – 2000V – and to the operating voltages for both final amplifier stages – 150 and 130V. Potentials of these voltages are on the CRT socket, on the lower horizontal PCB, and on the Z-board. Such potentials are moreover on the checkpoint strips on the upper and lower horizontal PCBs. They are highly dangerous and therefore precautions must be taken. It should be noted furthermore that shorts occurring on different points of the CRT high voltage and unblanking circuitry will definitely damage some semiconductors and the opto-coupler. For the same reason it is very risky to connect capacitors to these points while the instrument is on.

Capacitors in the instrument may still be charged, even when the instrument is disconnected from all voltage sources. Normally, the capacitors are discharged 6 seconds after switching off. However, with a defective

instrument an interruption of the load is not impossible. Therefore, after switching off, it is recommended to connect one by one all terminals of the check strips on the upper PCB across 1kΩ to ground (chassis) for a period of 1 second.

Handling of the CRT needs utmost caution. The glass bulb must not be allowed – under any circumstances – to come into contact with hardened tools, nor should it undergo local superheating (e.g. by soldering iron) or local undercooling (e.g. by cryogenic-spray). We recommend the wearing of safety goggles (implosion danger).

The complete instrument (with case closed and POWER button depressed) is – after each intervention – undergo a voltage test with 2000V, 45 to 65Hz, between accessible parts to both mains/line supply terminals. This test is dangerous and requires an adequately trained specialist.

Operating Voltages

Besides the two **AC voltages** for the CRT heating (6.3V), Component Tester and line triggering (12V) there are ten electronically regulated **DC operating voltages** generated (+12V, +5V_L, +5V_D, +5V_{TB}, +5V_S, –12V, +130V, +150V, –1900V, and 22V for the unblanking circuit). These different operating voltages are fixed voltages, except the +12V, which can be adjusted. All other voltages are dependent from the accuracy of this voltage (and also from some resistors with close tolerances). Only 22V in the unblanking circuit is stabilized with Z-diode. The variation of the fixed voltages greater than ±5% from the nominal value indicates a fault. Excepting 22V, +130V, and –1900V, the other DC voltages have no more than ±2% variation on the average. These voltages are measured on the checkpoint strip with reference to ground (see Adjusting Plan). Measurements of the high voltage may only be accomplished by the use of a sufficient highly resistive voltmeter (>10MΩ). You must make absolutely sure that the electric strength of the voltmeter is sufficiently high. The 22V for the unblanking circuit can be measured as the difference between two high voltages with reference to ground. It is recommended to check the ripple and also the interaction from other possible sources. Excessive values might be very often the reason for incomprehensible faults.

Maximum and Minimum Brightness

Two variable resistors of 500kΩ each, located on the Z-PCB, are used for these adjustment procedures (see Adjusting Plan). They may only be touched by a properly insulating screwdriver (Caution! High voltage!). The adjust-

ments may possibly have to be repeated, because the functions of both variable resistors are dependent on each other. Correct adjustment is achieved, when the trace can be blanked while **X-Y** pushbutton is depressed and, in addition, when the requirement described in the Test Instructions are met.

Astigmatism control

The ratio of vertical and horizontal sharpness can be adjusted by the variable resistor of 50kΩ, located on the Z-PCB (see Adjusting Plan). As a precaution however, the voltage for the vertical deflecting plates (approx. +74V) should firstly be checked, because this voltage will affect the astigmatism correction. While the adjustment is being carried out (with medium brightness and a 1 MHz square-wave signal), the upper horizontal square-wave tops are firstly focussed with the **FOCUS** control. Then the sharpness of the vertical lines are corrected with the 50kΩ Astigm. pot. The correction should be repeated several times in this sequence. The adjustment is finished, when the **FOCUS** knob **exclusively** brings no improvement of the sharpness in **both** directions.

Trigger Threshold

The internal trigger threshold should be in the range 3 to 5 mm display height. It is strongly dependent on the TL 710 comparator IC. If there are compelling reasons to replace this comparator, it may be that triggering becomes too sensitive or too insensitive caused by the IC gain tolerances (see Test Instructions: "Triggering Checks", page T3). In extreme cases, the 33kΩ hysteresis resistor of the 710 comparator should be changed. Generally, max. halving or doubling of this resistance value should be sufficient. A too small trigger threshold cause double-triggering or premature trigger action due to interference pulses or random noise. A too high trigger threshold prevents the display of very small display heights.

Trouble-Shooting the Instrument

For this job, at least an isolating variable mains/line transformer (protection class II), a signal generator, an adequate precise multimeter, and, if possible, an oscilloscope are needed. This last item is required for complex faults, which can be traced by the display of signal or ripple voltages. As noted before, the regulated high voltage and the supply voltage for the final stages are highly dangerous. Therefore it is recommended to use **totally insulated extended probe tips**, when trouble-shooting the instrument. Accidental contact with dangerous voltage potentials is then unlikely. Of course, these instructions cannot thoroughly

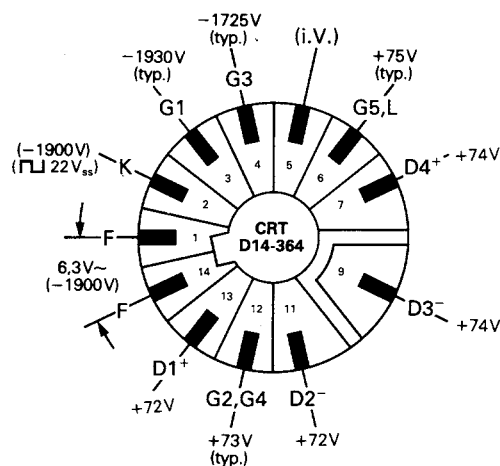
cover all kinds of faults. Some common-sense will certainly be required, when a complex fault has to be investigated.

If trouble is suspected, visually inspect the instrument thoroughly after removal of the case. Look for loose or badly contacted or discolored components (caused by overheating). Check to see that all circuit board connections are making good contact and are not shorting to an adjacent circuit. Especially inspect the connections between the PCBs, to the power transformer, to front chassis parts, to CRT socket, to trace rotation coil (inside of CRT's shielding), and to the control potentiometers and switches on top of and beneath the PCBs. Furthermore, the soldering connections of the transistors and Fixed Three-Terminal Regulators resp. on the rear chassis. This visual inspection can lead to success much more quickly than a systematic fault location using measuring instruments. Prior to any extensive trouble-shooting, also check the external power source.

If the instrument fails completely, the first and most important step – **after checking the mains/line voltage and power fuse** – will be to measure the deflecting plate voltages of the CRT. In almost any case, the faulty section can be located. The sections represent:

1. Vertical deflection.
2. Horizontal deflection.
3. CRT circuit.
4. Power supply.

While the measurement takes place, the position controls of both deflection devices must be in mid-position. When the deflection devices are operating properly, the separate voltages of each plate pair are almost equal then ($Y \approx 74V$ and $X \approx 72V$). If the separate voltages of a plate pair are very different, the associated circuit must be faulty. An absent trace in spite of correct plate voltages means a fault in the CRT circuit. Missing deflection plate voltages is probably caused by a defect in the power supply.



Voltages at the CRT socket

Replacement of Components and Parts

For the replacement of parts and components use only parts of the same or equivalent type. Resistors without specific data in the diagrams have a power dissipation of 0.33Watt and a tolerance of 1%. Resistors in the high voltage circuit must have sufficient electric strength. Capacitors without a voltage value must be rated for an operating voltage of 63V. The capacitance tolerance should not exceed 20%. Many semiconductors are selected, especially the gate-diodes 1N4154, and all amplifier transistors, which are contained in push-pull circuits (including the FETs). If a selected semiconductor is defective, all gate-diodes or both push-pull transistors of a stage should be replaced by selected components, because otherwise there are possibly deviations of the specified data or functions. The HAMEG Service Department can give you advice for troubleshooting and replaceable parts. Replacement parts can be ordered by letter or telephone from the nearest HAMEG Service Office. Please supply the following information: Instrument type and serial number, description of the part (including function and location in the instrument), quantity desired.

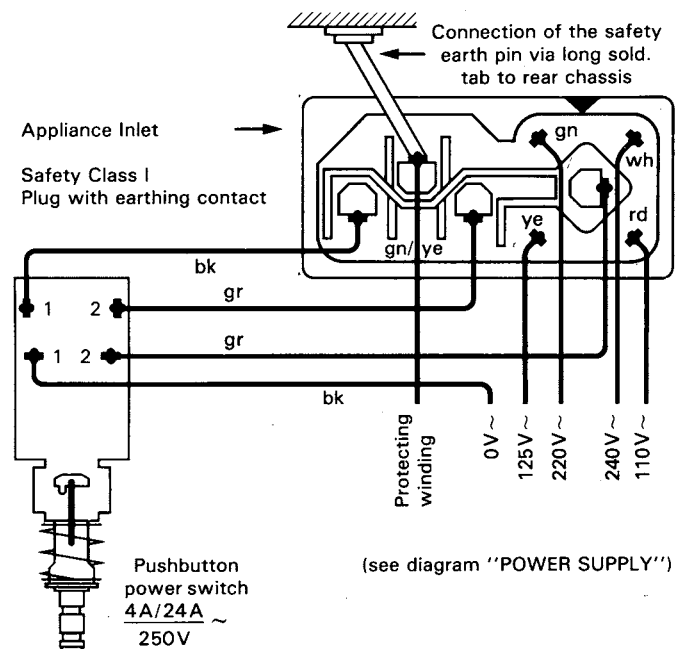
Replacement of the Power Transformer

Should it be necessary to replace the mains/line transformer, the correct terminal sequence (color identification) for primary and secondary windings must be followed (see diagram "Power Supply" and the figure below). In addition, the relevant Safety Regulations must be observed. Here, we refer only to those requirements relative to the parts conductively connected to the supply mains:

- The construction of the instrument shall be such as to prevent any short-circuiting or bridging of the insulation, clearances or creepage distances between those parts connected to the supply mains and any accessible conductive parts due to accidental loosening or freeing of the wiring, screws, etc.
- The rigidity of the mains wiring connections, which may be subject to mechanical stresses, shall not be dependent upon the soldering alone. To meet this requirement, the bare ends of the wires must be pushed through the holes in the respective soldering tab, bent over with a pair of pliers, and subsequently fixed by soldering.
- The minimum cross section of the protective earth connection between the instrument's power inlet and the connecting soldering tab on the rear chassis must be 0.81 mm² in North America and 0.75 mm² in Western Europe. The connecting soldering tab on the rear chassis has to be secured mechanically against loosening (e.g. with lock washer).

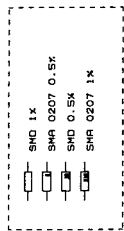
After replacing the power transformer, all remaining bits of wire, solder and other foreign matter must be removed from the PCBs, the vicinity of the power transformer and from within the insulating connecting box by shaking, brushing and blowing. Finally, the top plate of the insulating connecting box has to be replaced. Before connecting the instrument to the power supply, replace the possibly defective fuse, press the **POWER** button and make sure that there is an adequate insulation state between chassis (= safety earth conductor) on the one hand, and the live/line pin as well as the neutral pin, on the other. Only after proper insulation has been established may further function tests with open chassis follow, but with appropriate precautionary measures.

Rear View of Power Switch and Appliance Inlet with Voltage Selector and Fuse

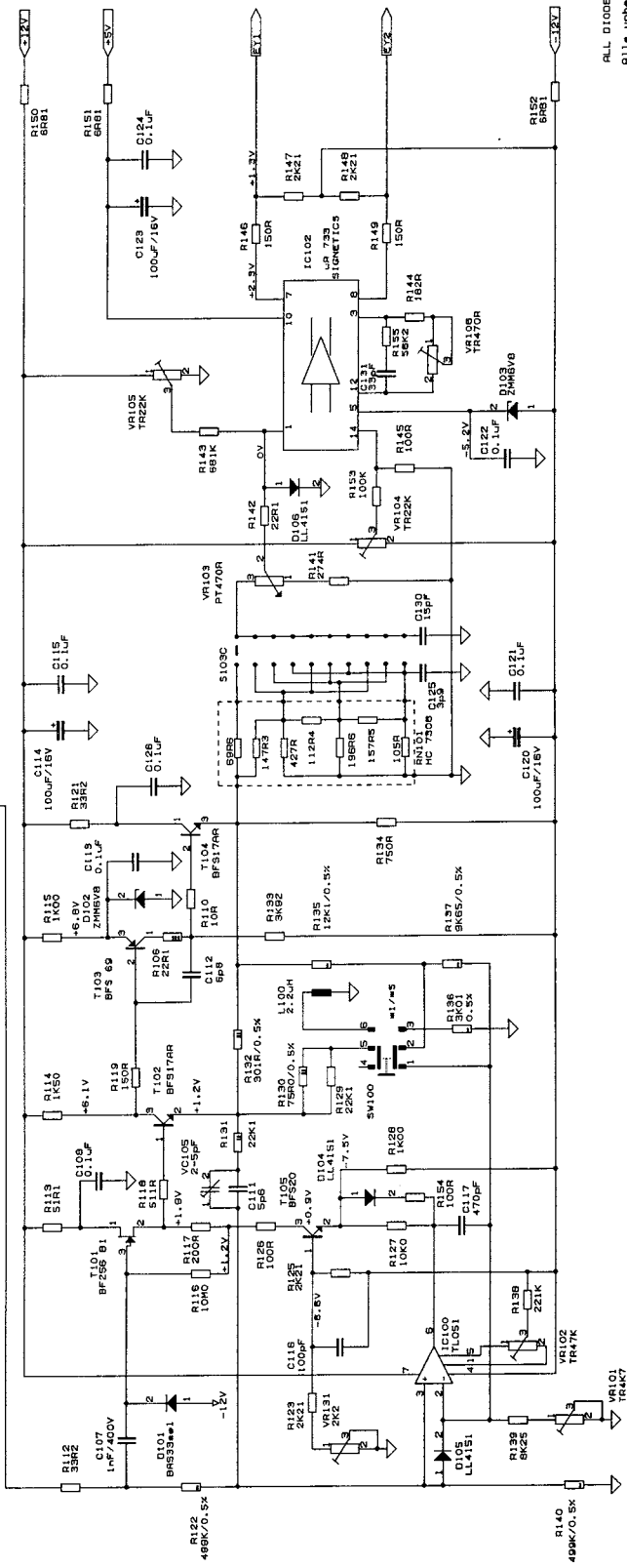
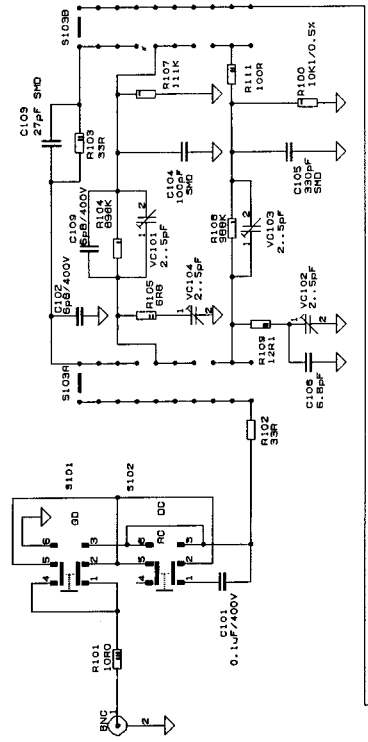


Teilerschalter, Vorverstärker Kanal I (Kanal II)
 Attenuator, Preamplifier Channel I (Channel II)

HM205-3



- 5 mV
- 10 mV
- 20 mV
- 50 mV
- .1 V
- .5 V
- 1 V
- 2 V
- 5 V

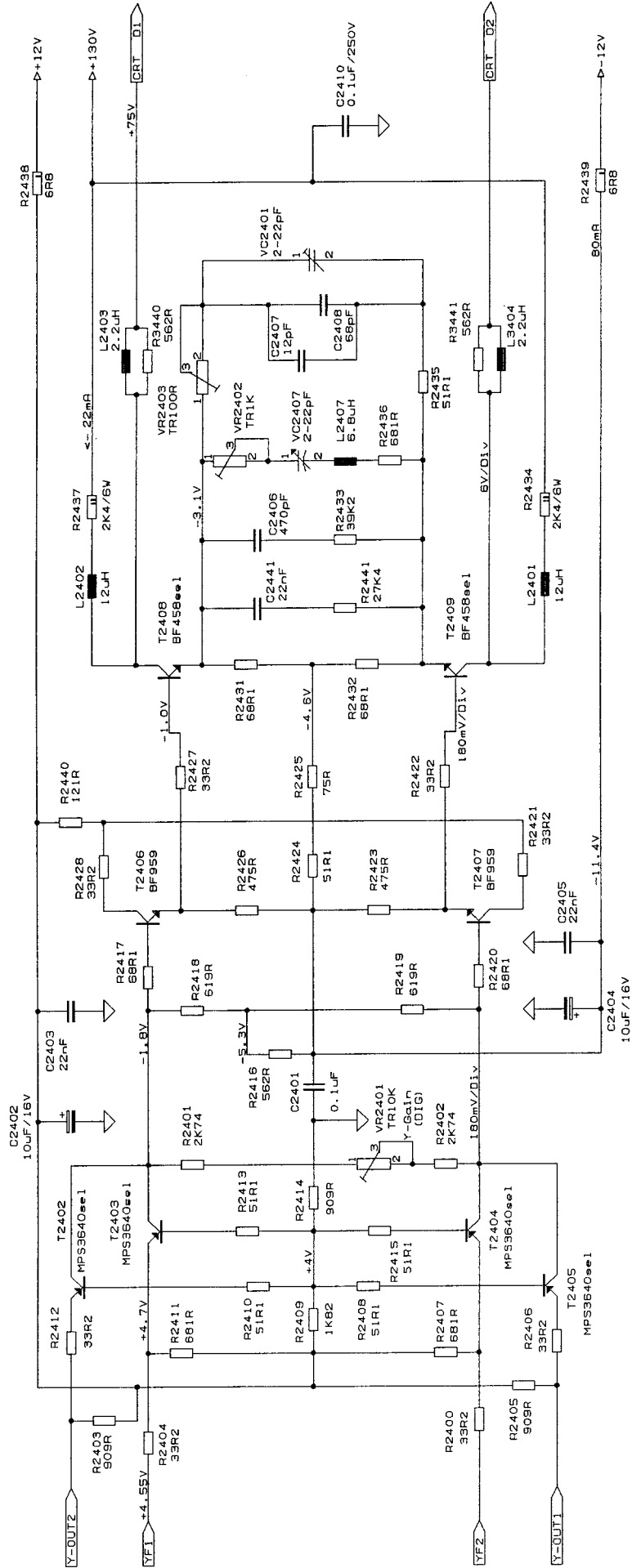


ALL DIODES NOT SPECIFIED
 Alle unbeschrifteten Dioden

Titel	ATTENUATOR AND PREAMPLIFIER HM205-3
Size/Document Number	ET 205-3
C	ET 205-3
Doc. No.	Nov. 30, 1990, 150001

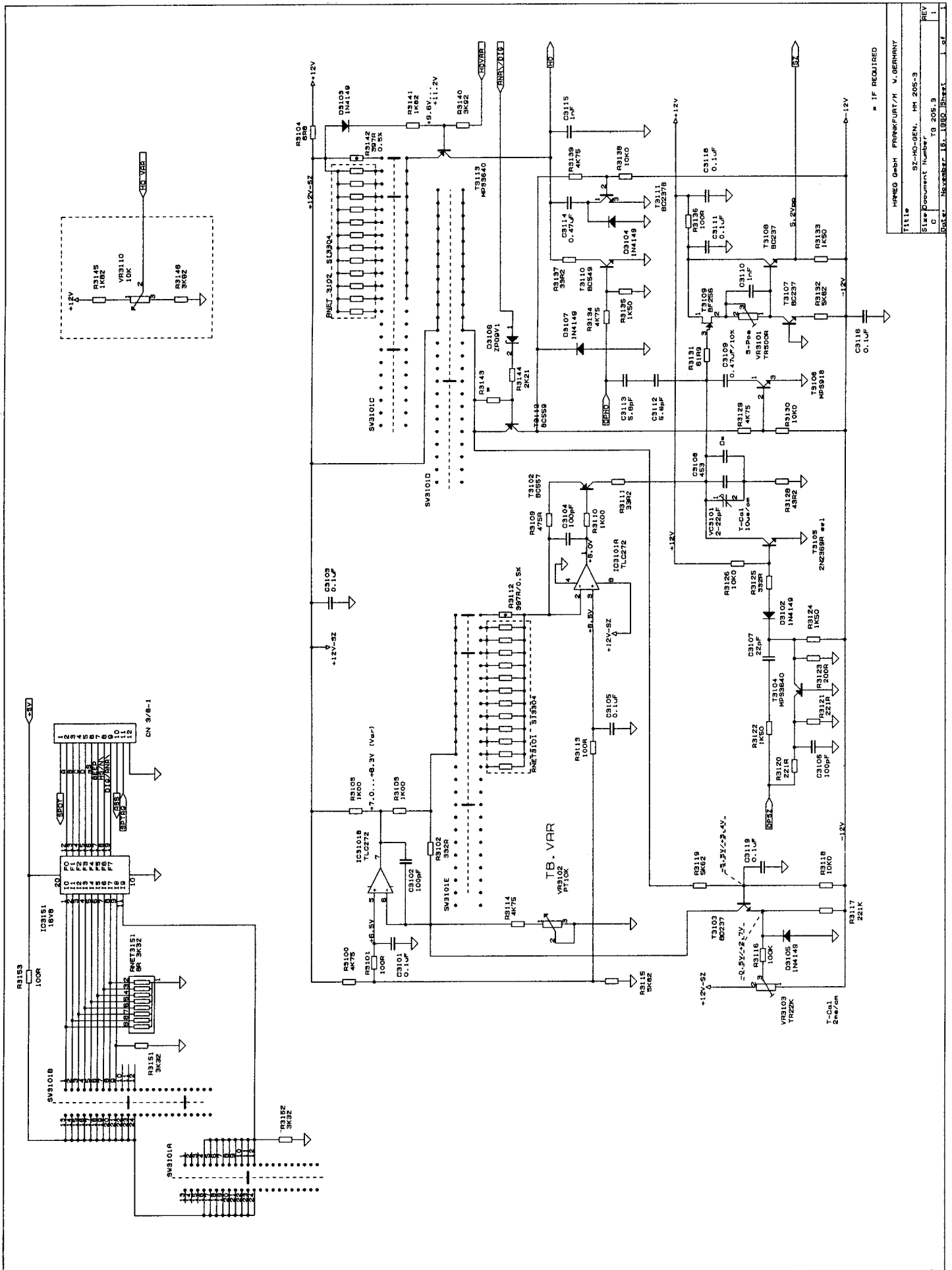
Y-Endverstärker (XY-Board)
Y Final Amplifier

HM 205-3



Spannungen bei Strahl in Bildmitte messen

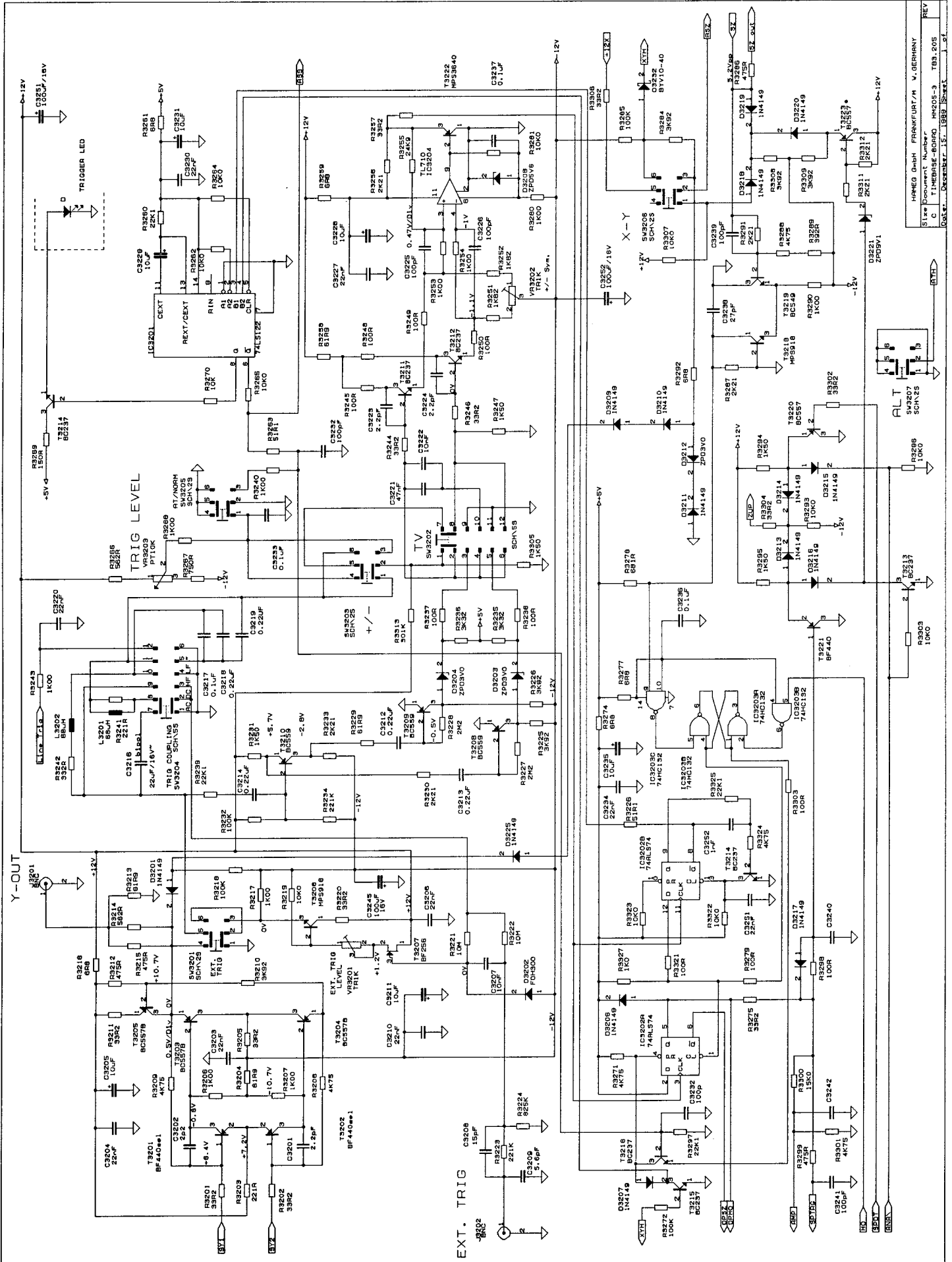
Title		HAMEG GmbH FRANKFURT/AM W. GERMANY	
Size		Y-FINAL AMPLIFIER	
Document Number		YF 205-3	
REV	B	ST	1
Date:	November 15, 1990	Sheet	1 of 1



Hersteller	HMED GmbH FRANKFURT/ M. GERMANY
Titel	SZ-HO-GEN. HM 205-3
Skizzennummer	Number 10.205.3
Rev.	1
Datum	November 1980, Sheet 1 of 1

Triggerschaltung, TV-Sync.-Separator (TB-Board)
 Trigger Circuit, TV Sync. Sep.

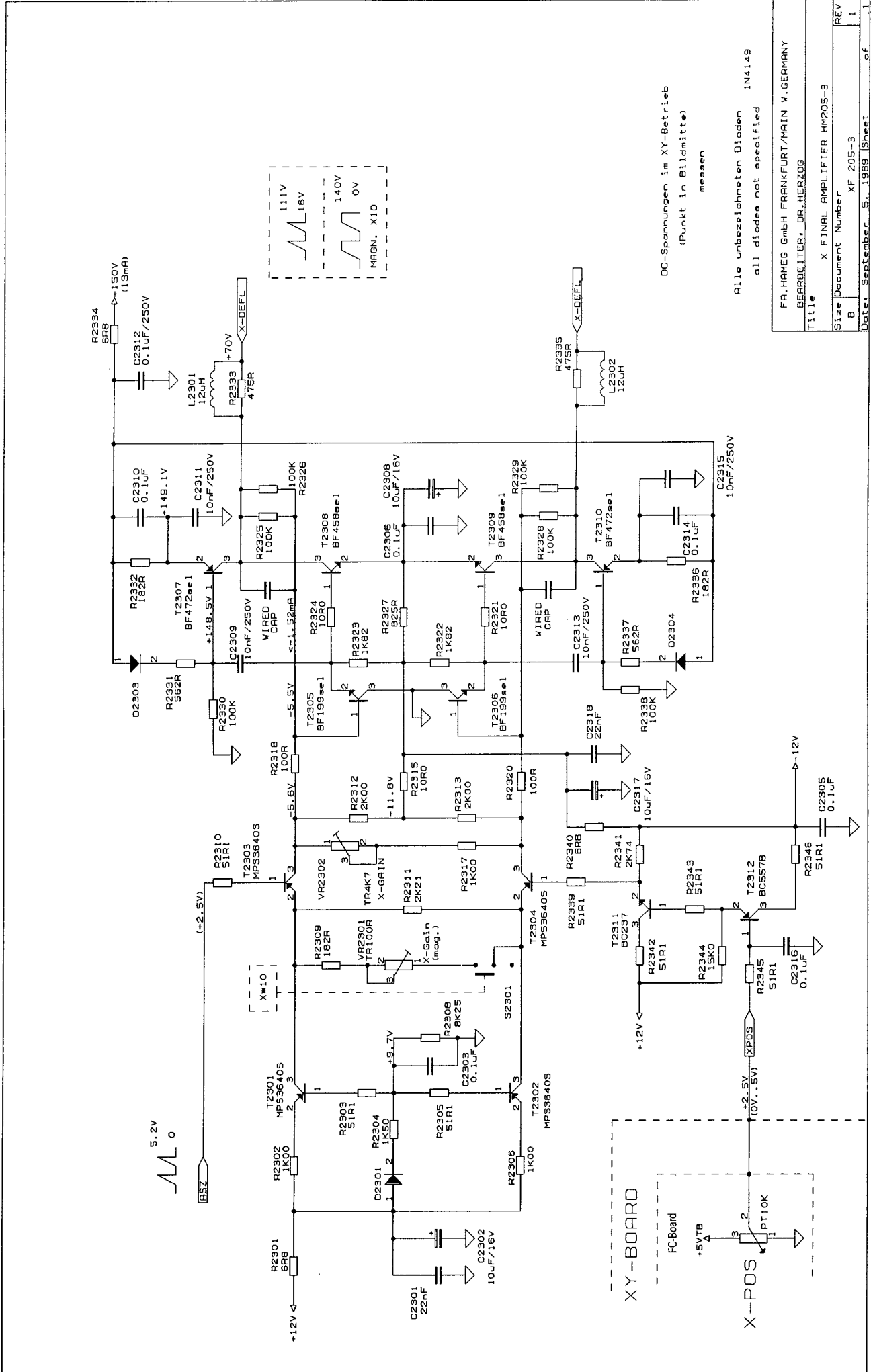
HM205-3



REV	1	1.0
REV	2	1.1
REV	3	1.2
REV	4	1.3
REV	5	1.4
REV	6	1.5
REV	7	1.6
REV	8	1.7
REV	9	1.8
REV	10	1.9
REV	11	2.0

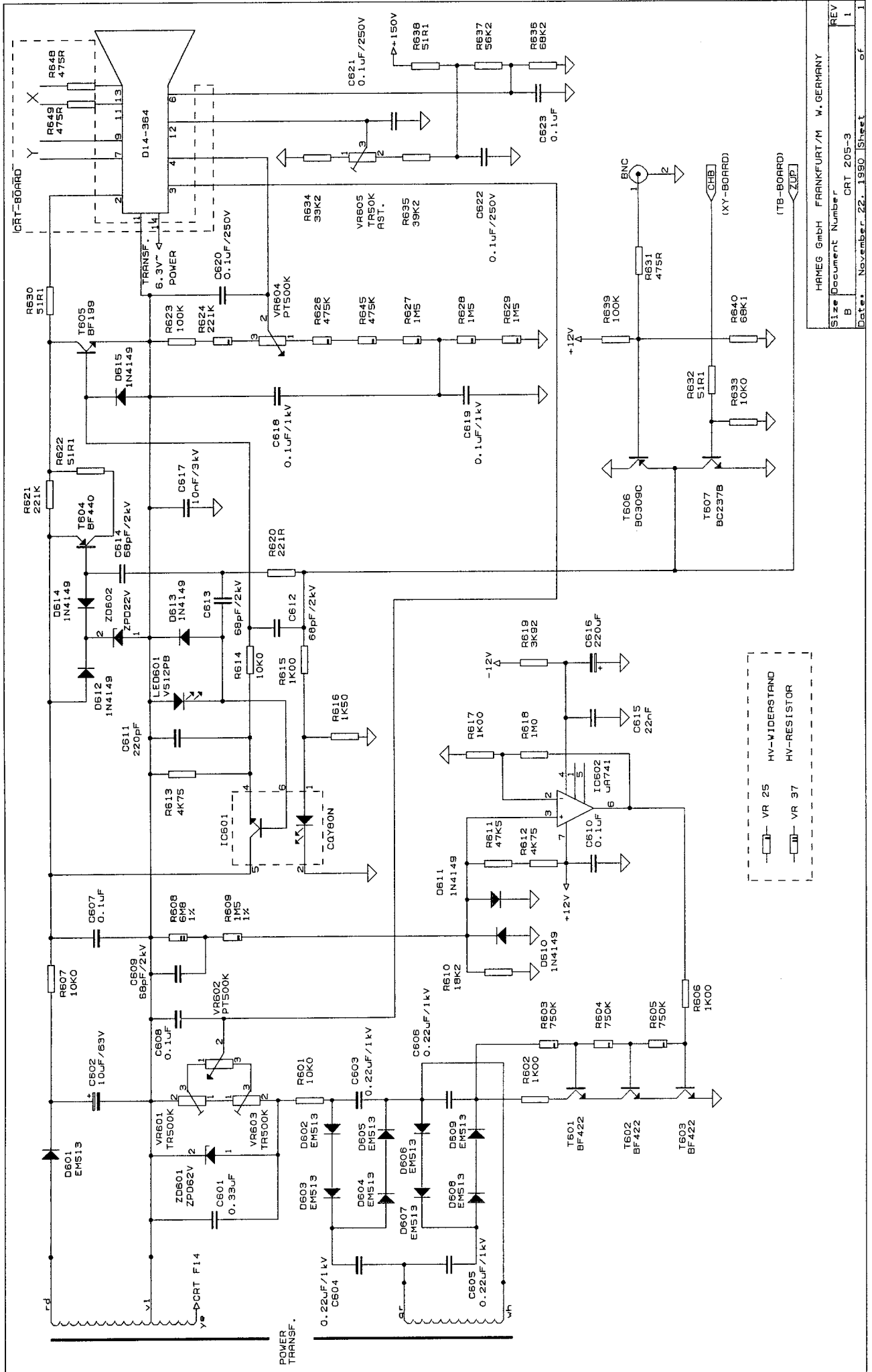
**X-Endverstärker (XY-Board)
X Final Amplifier**

HM 205-3



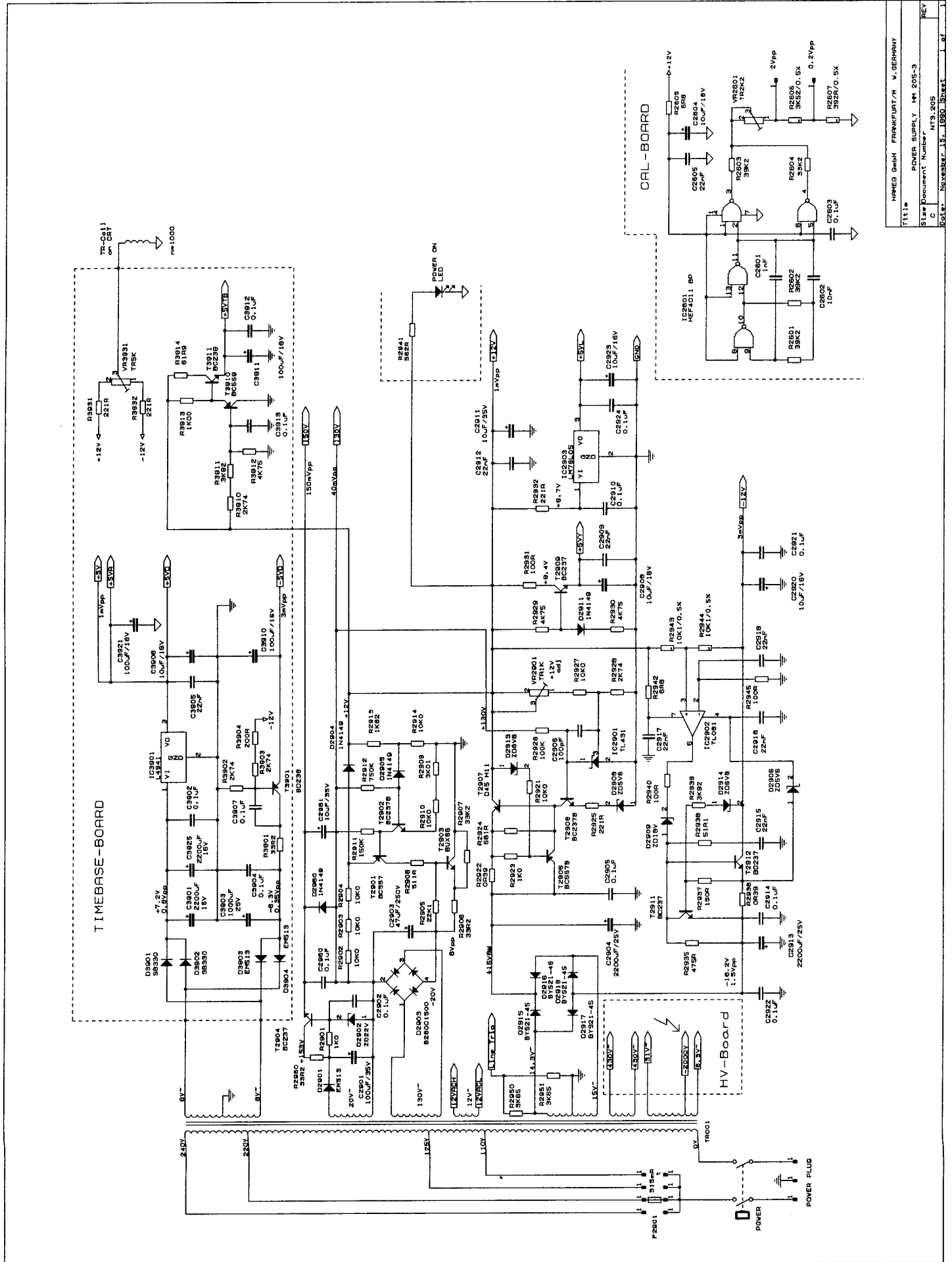
Kathodenstrahlröhre, Heißkantung, HV-Netzteil (Z-Board) CRT Circuit, Unblanking, HV Supply

HM 205-3



Size	Document Number	REV
B	CRT 205-3	1
Date:	November 22, 1950	Sheet of 1

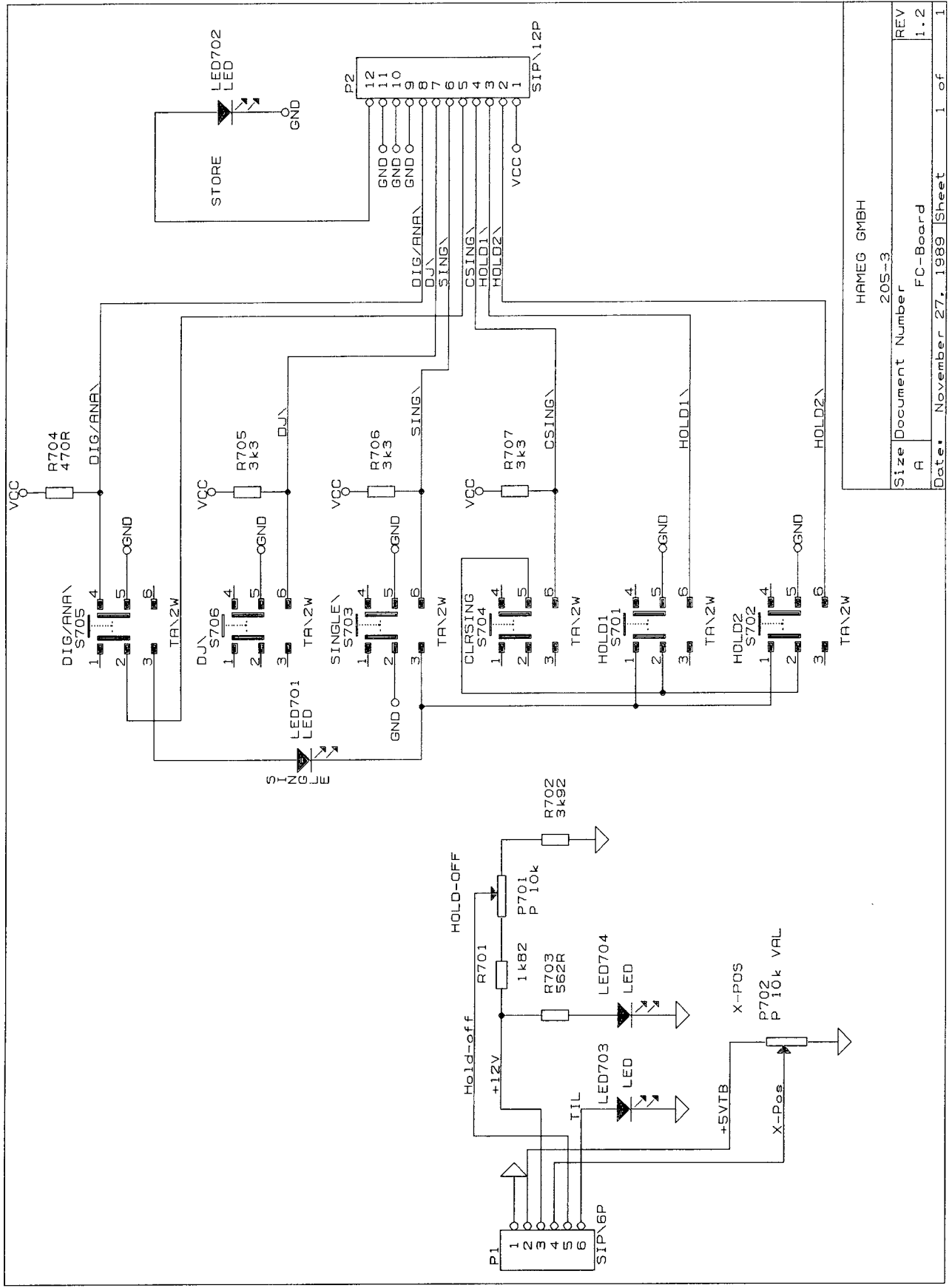
HAMEG GmbH FRANKFURT/M W. GERMANY



HMEG GmbH	FRANKFURT/AM	W. GERMANY
Titel	POWER SUPPLY HM 205-3	
Status	Document Number: NT9_205	
REV	C	
DATE	November 15, 1990	Sheet 1 of 1

Bedienungselemente für Speicher, Hold Off, X-Pos. (FC-Board)
 Operating Controls for Storage, Hold Off, X-Pos.

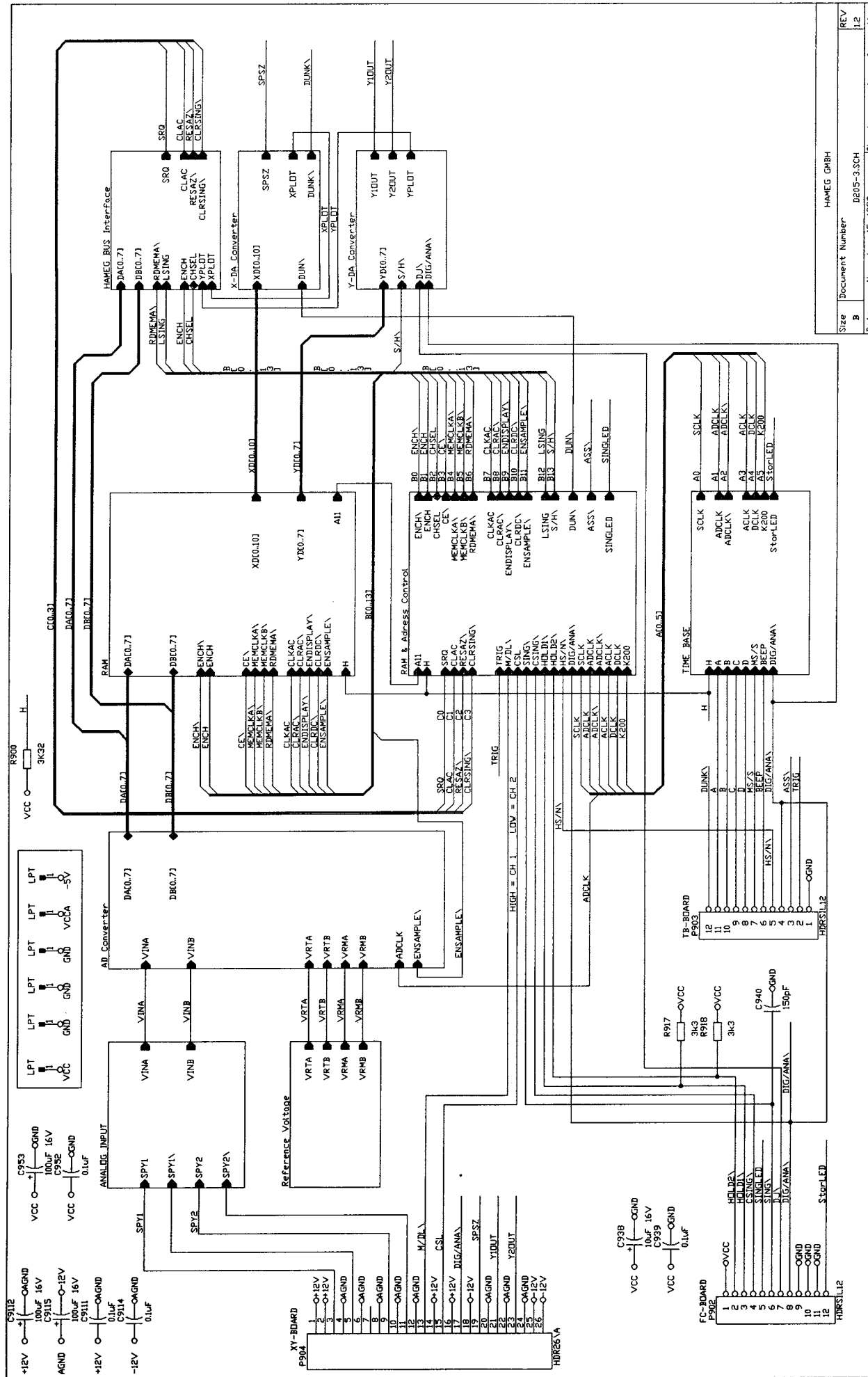
HM205-3



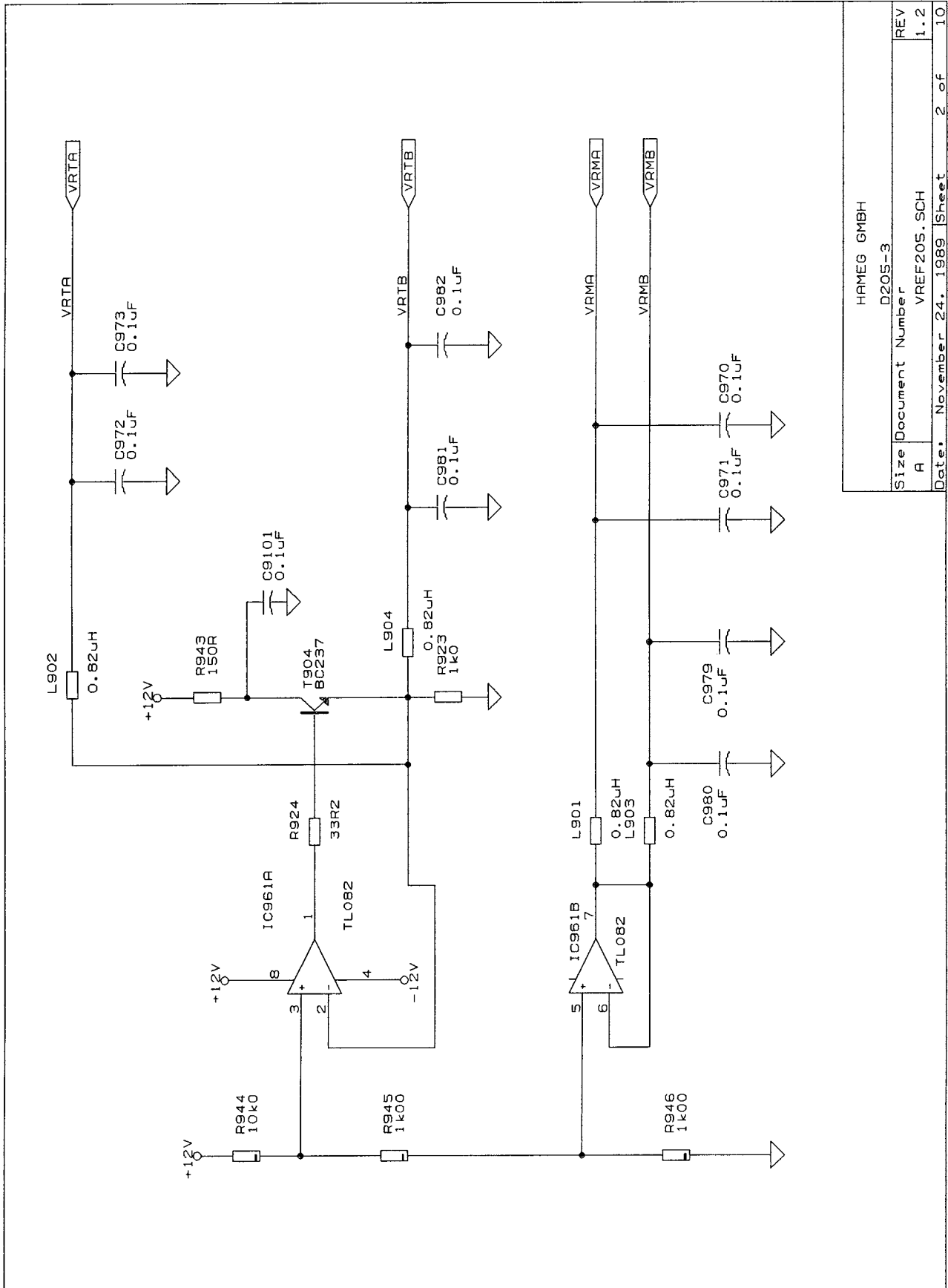
HAMEG GMBH	
205-3	
Size Document Number	FC-Board
REV	1.2
Date:	November 27, 1989 Sheet 1 of 1

Block Diagram, Digitalteil (DIG.-Board)

HM205-3



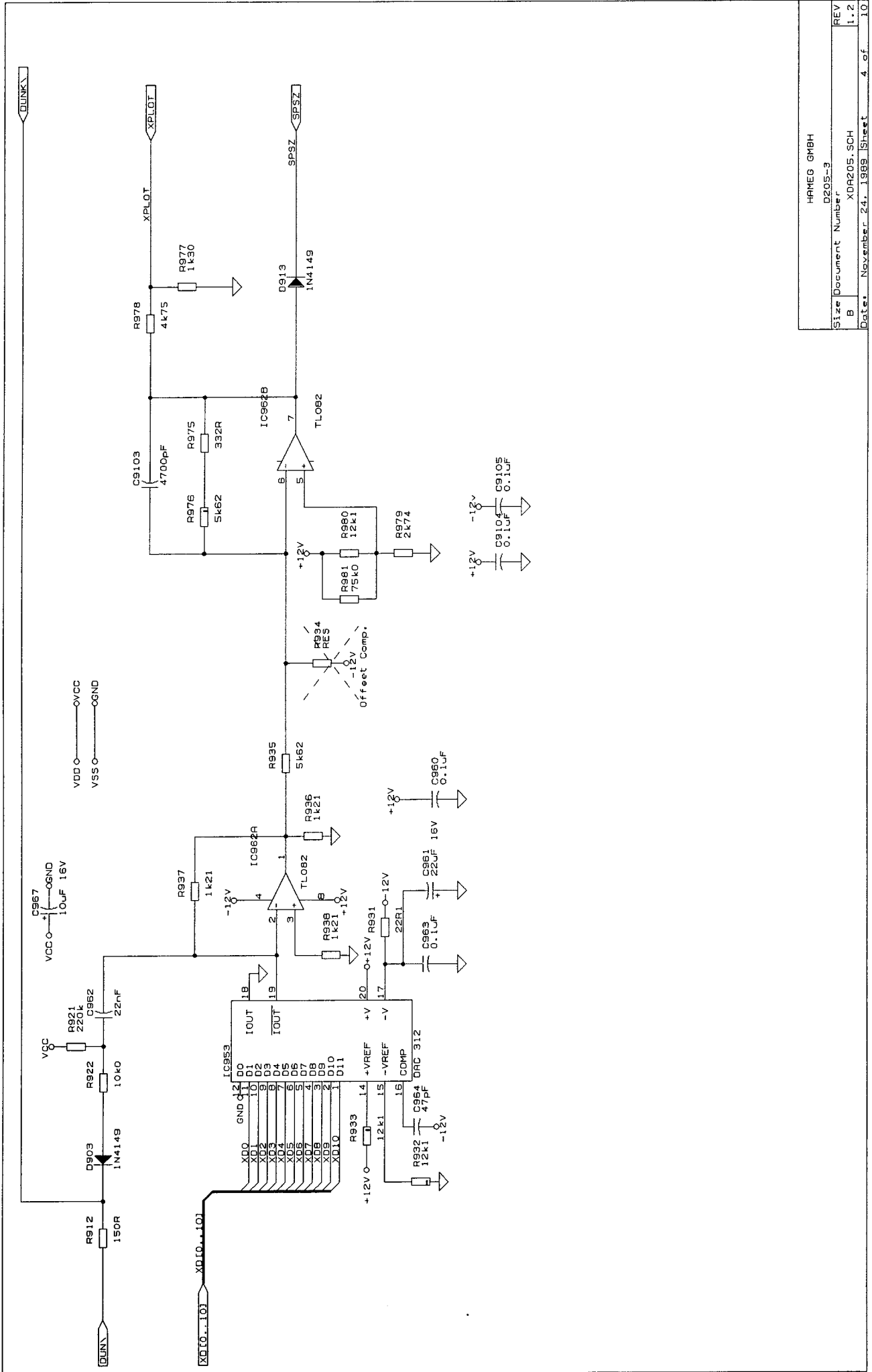
Size	Document Number	HAMEG GMBH
B	D205-3.SCH	
Date	November 15, 1989	Sheet 1 of 10



HAMEG GMBH	
D205-3	
Size	Document Number
A	VREF205.SCH
REV	1.2
Date:	November 24, 1989
Sheet	2 of 10

**D/A-Wandler, horizontal (DIG.-Board)
D/A Converter, horizontal**

HM205-3



Size	B
Document Number	XDR205.SCH
REV	1.2
Date	November 24, 1989
Sheet	4 of 10

HARMEG GMBH

D205-3

XDR205.SCH

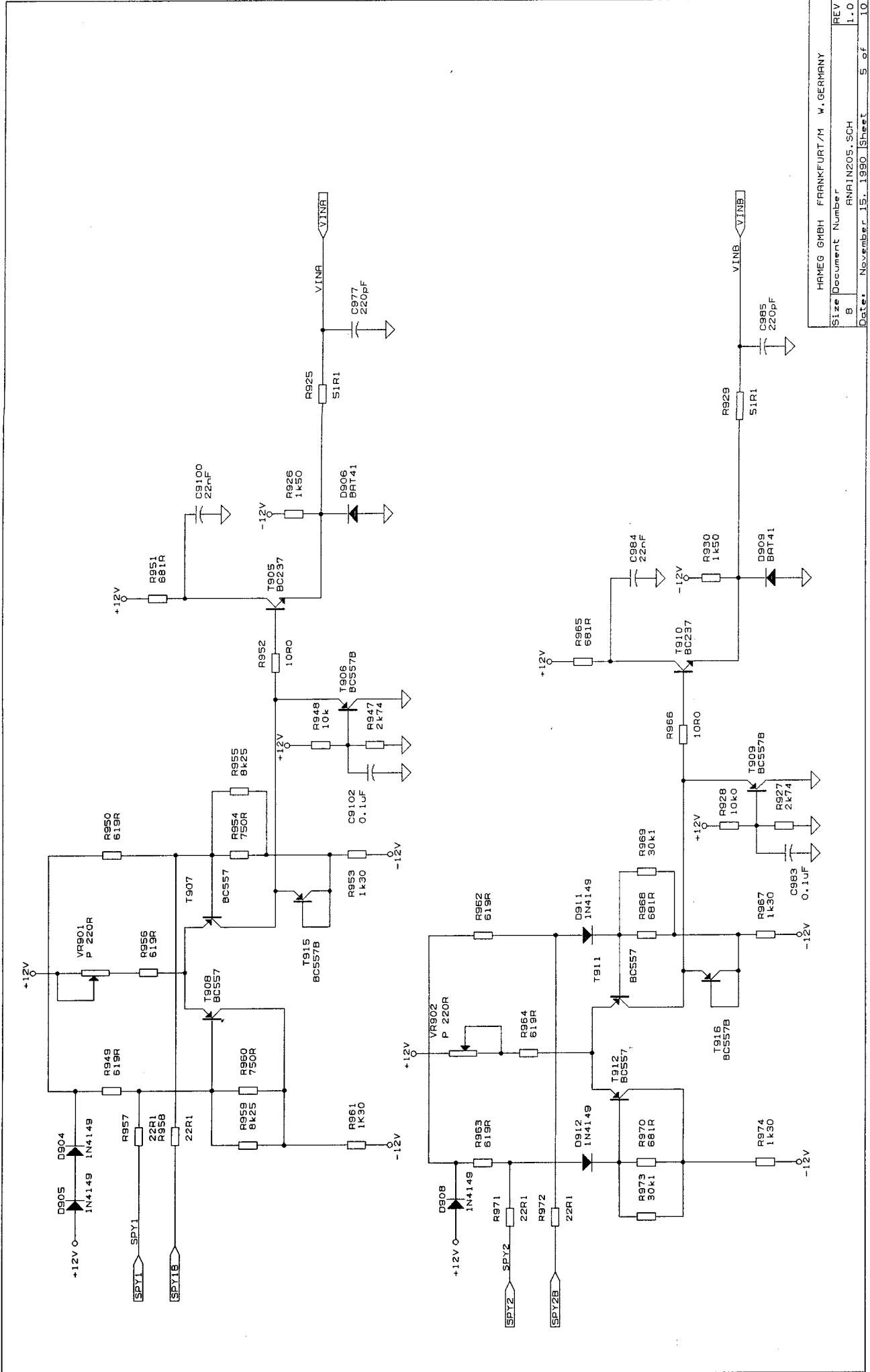
1.2

November 24, 1989

4 of 10

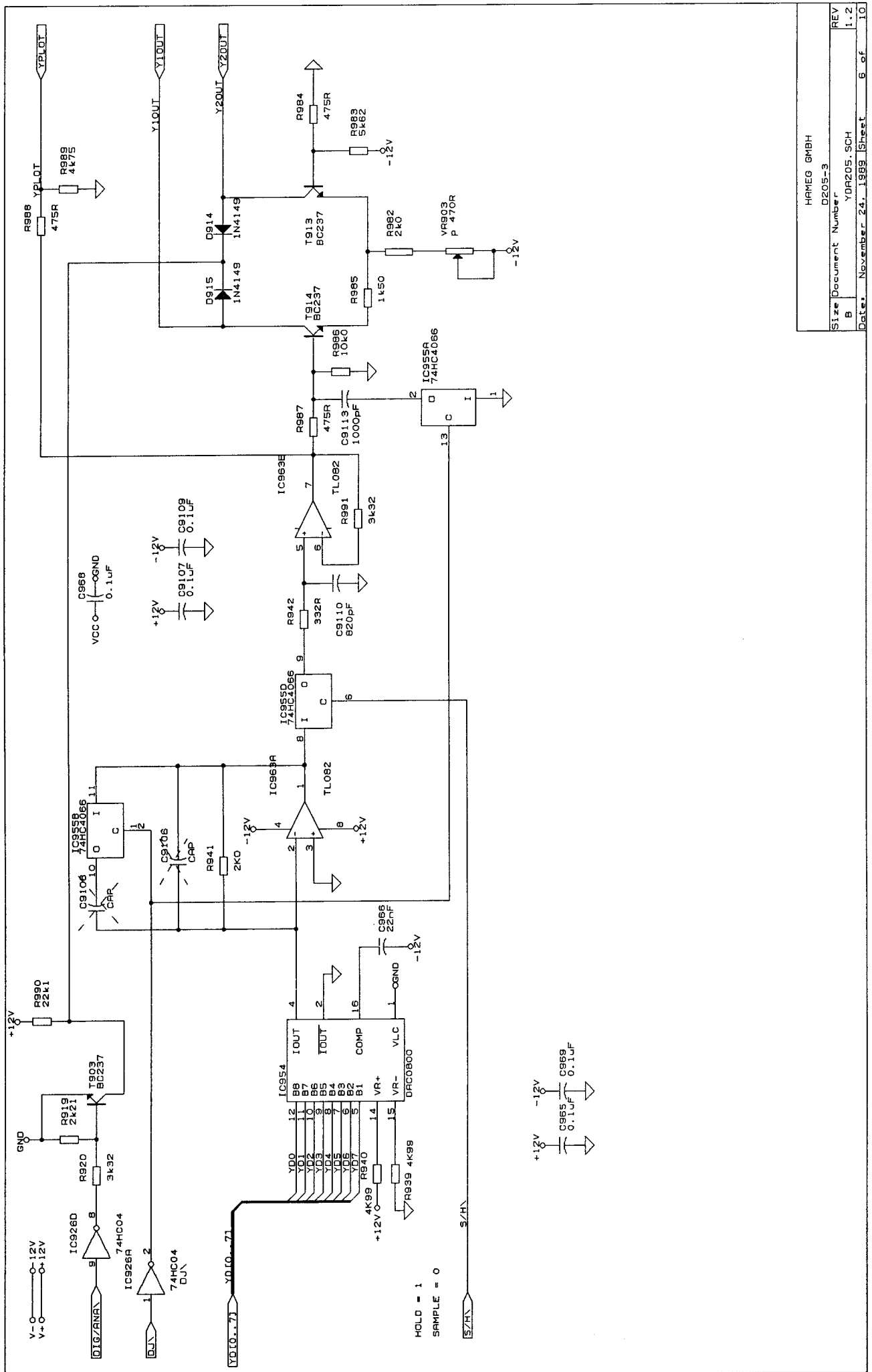
Analog Eingang (DIG.-Board) Analog Input

HM 205-3



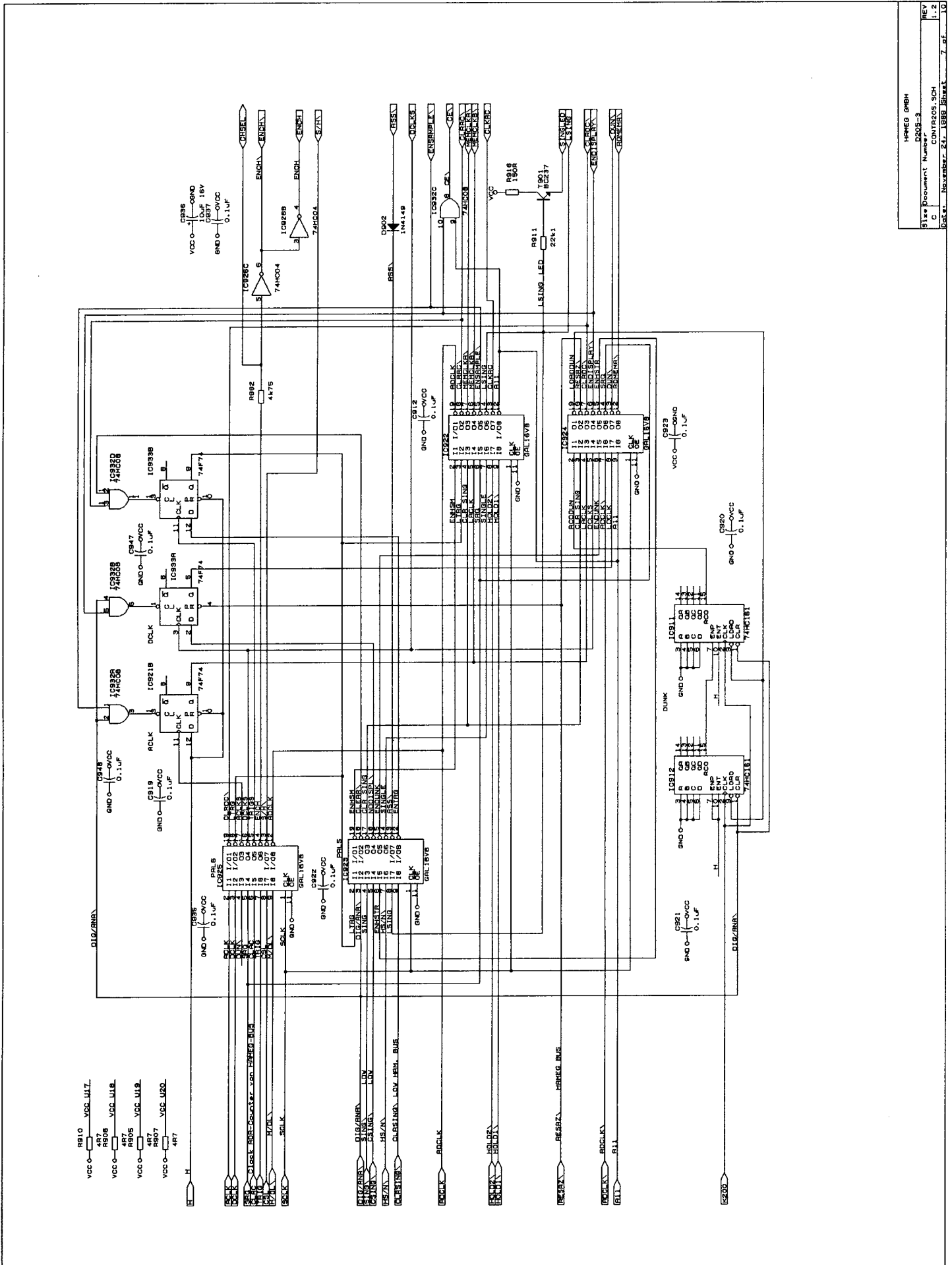
D/A-Wandler, vertikal (DIG.-Board) D/A Converter, vertical

HM205-3

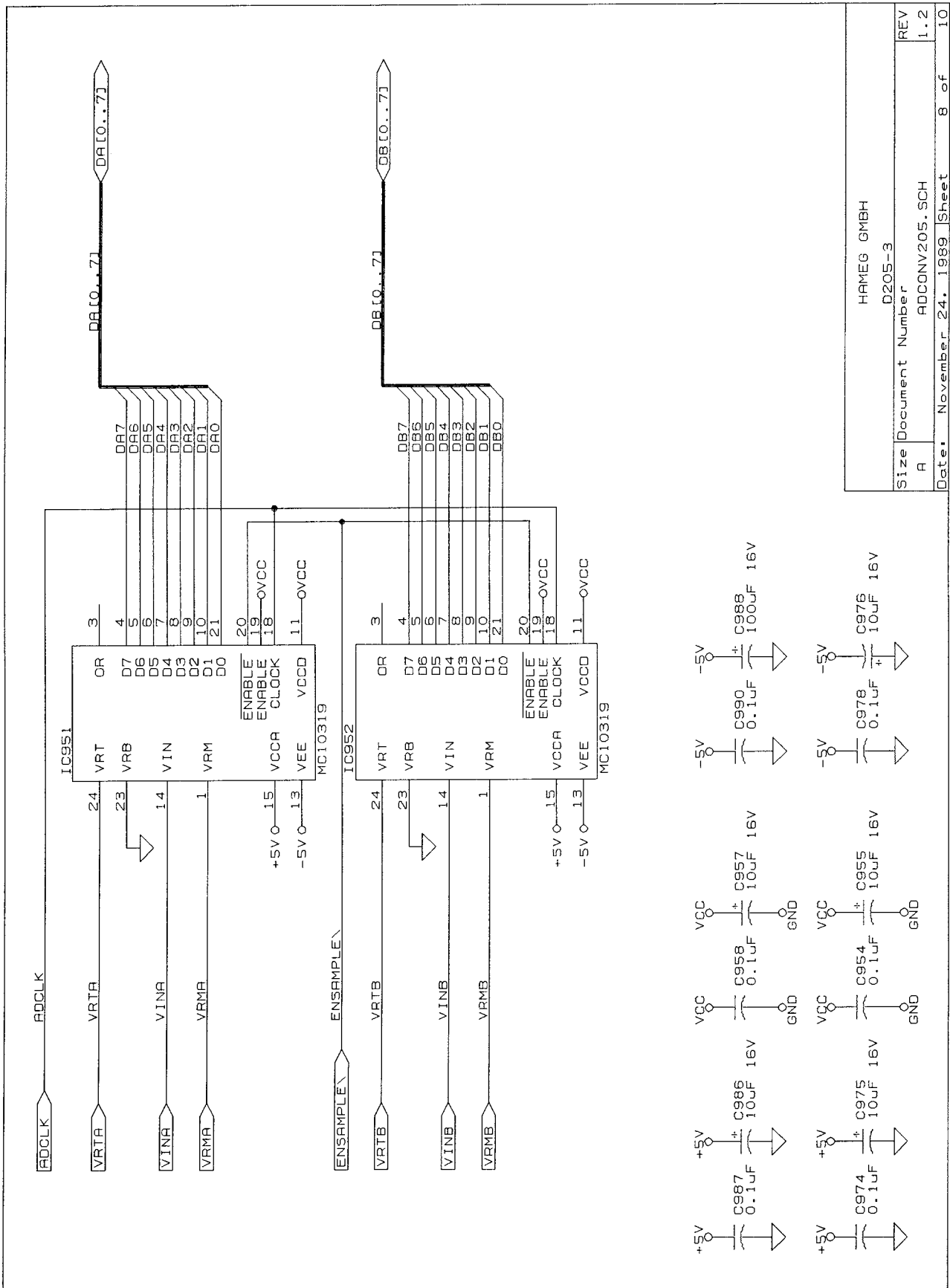


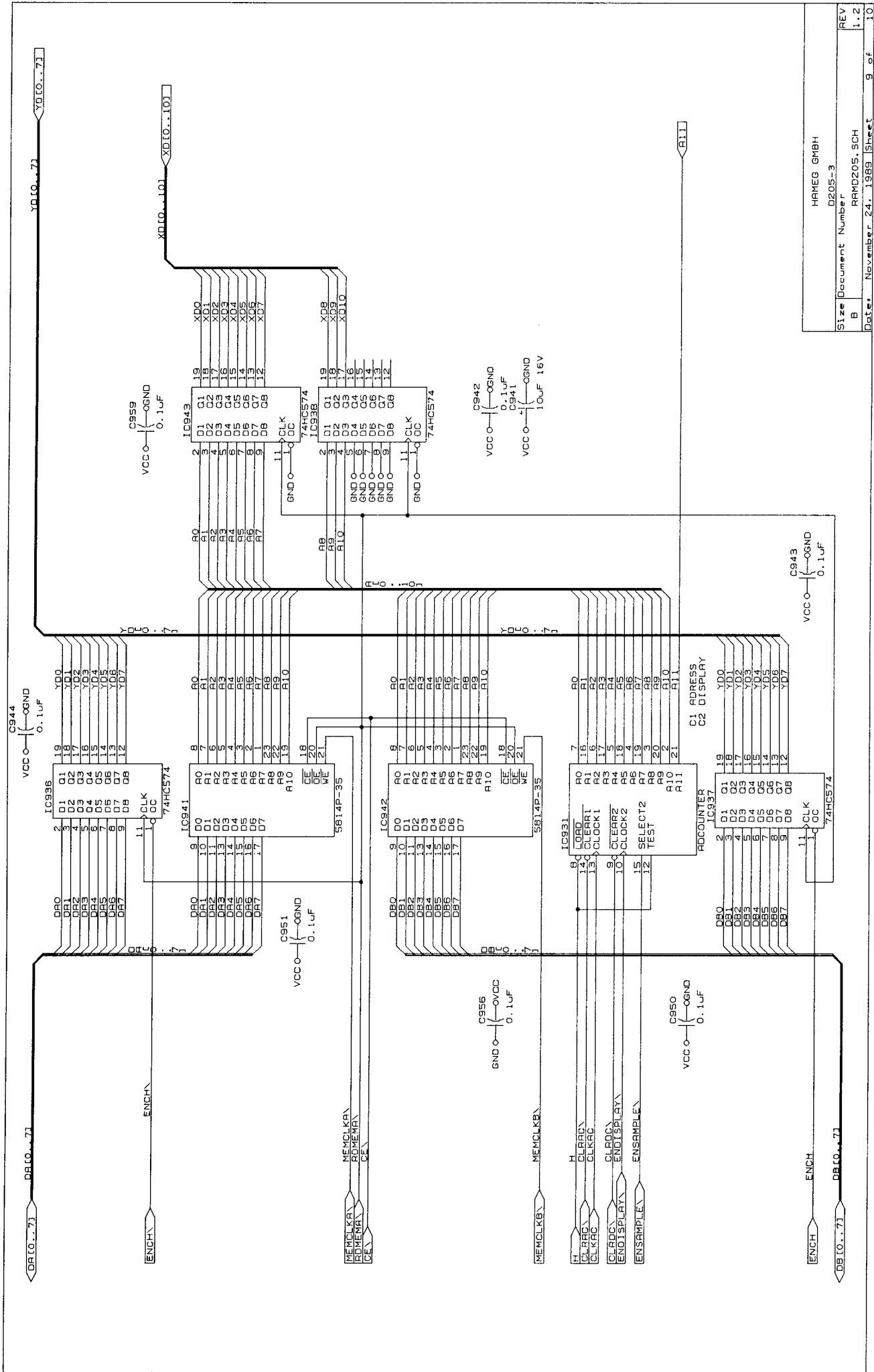
Size	Document Number	REV
B	YDA205.SCH	1.2
Date:	November 24, 1989	Sheet 6 of 10

HAMEG GMBH
 D205-3



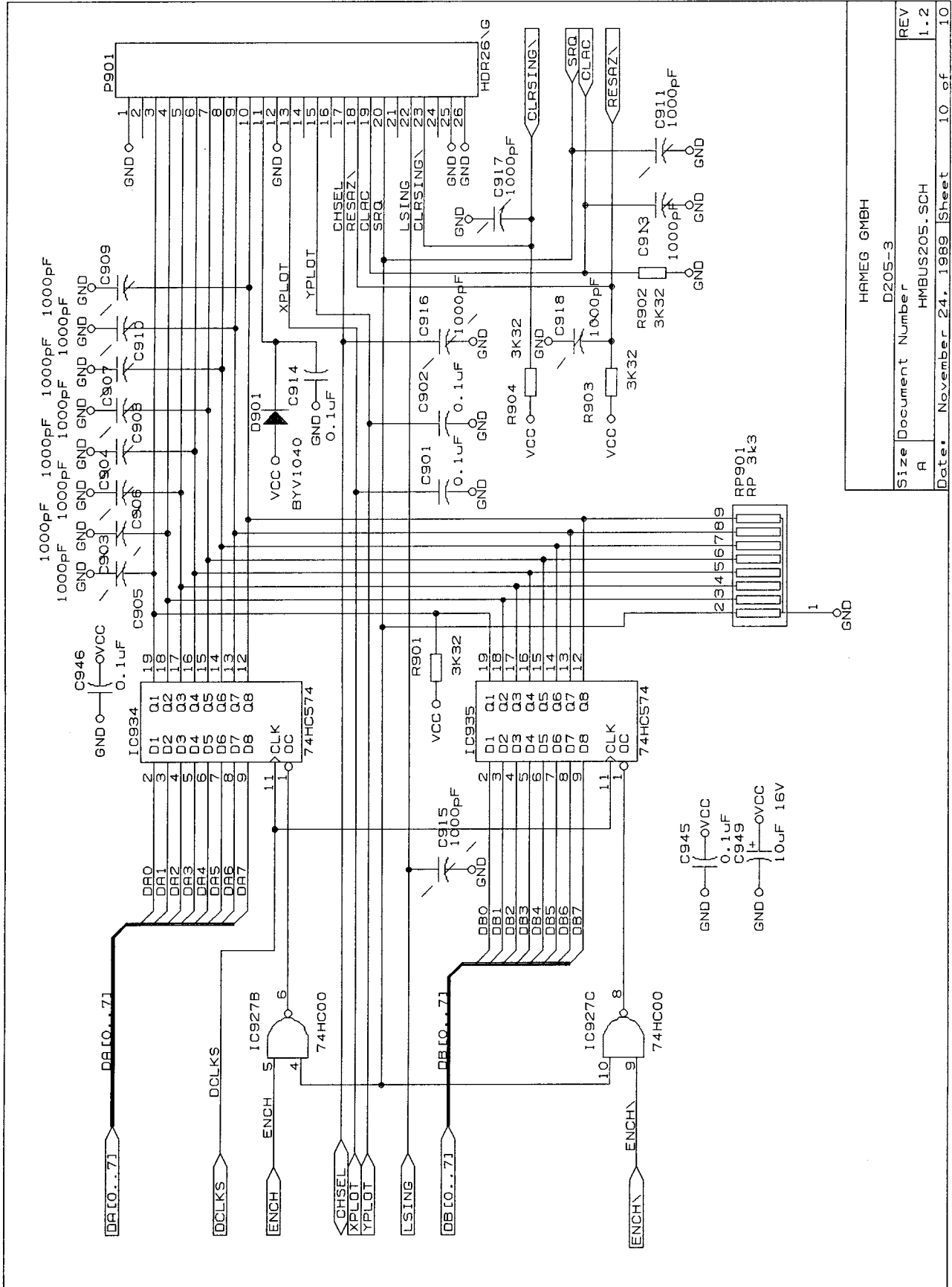
HM205-3	REV
D205-3	1.2
Steuer Document Number	C
CONTR205.SCH	
Boards	7 of 10



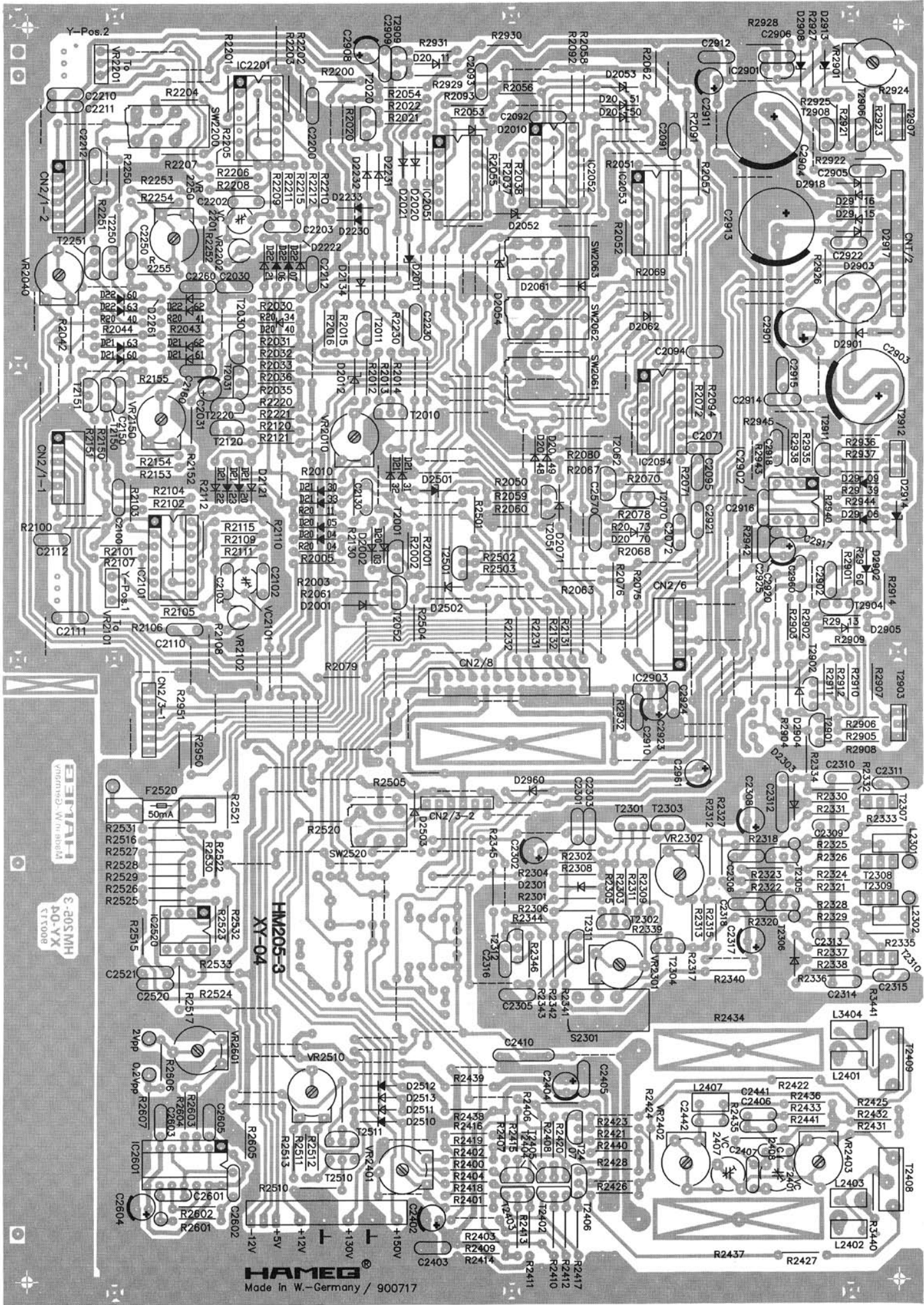


Size	B	REV	1.2
Document Number	RAMD205.SCH		
Date	November 24, 1989	Sheet	9 of 10

HAHEG GMBH
D205-3

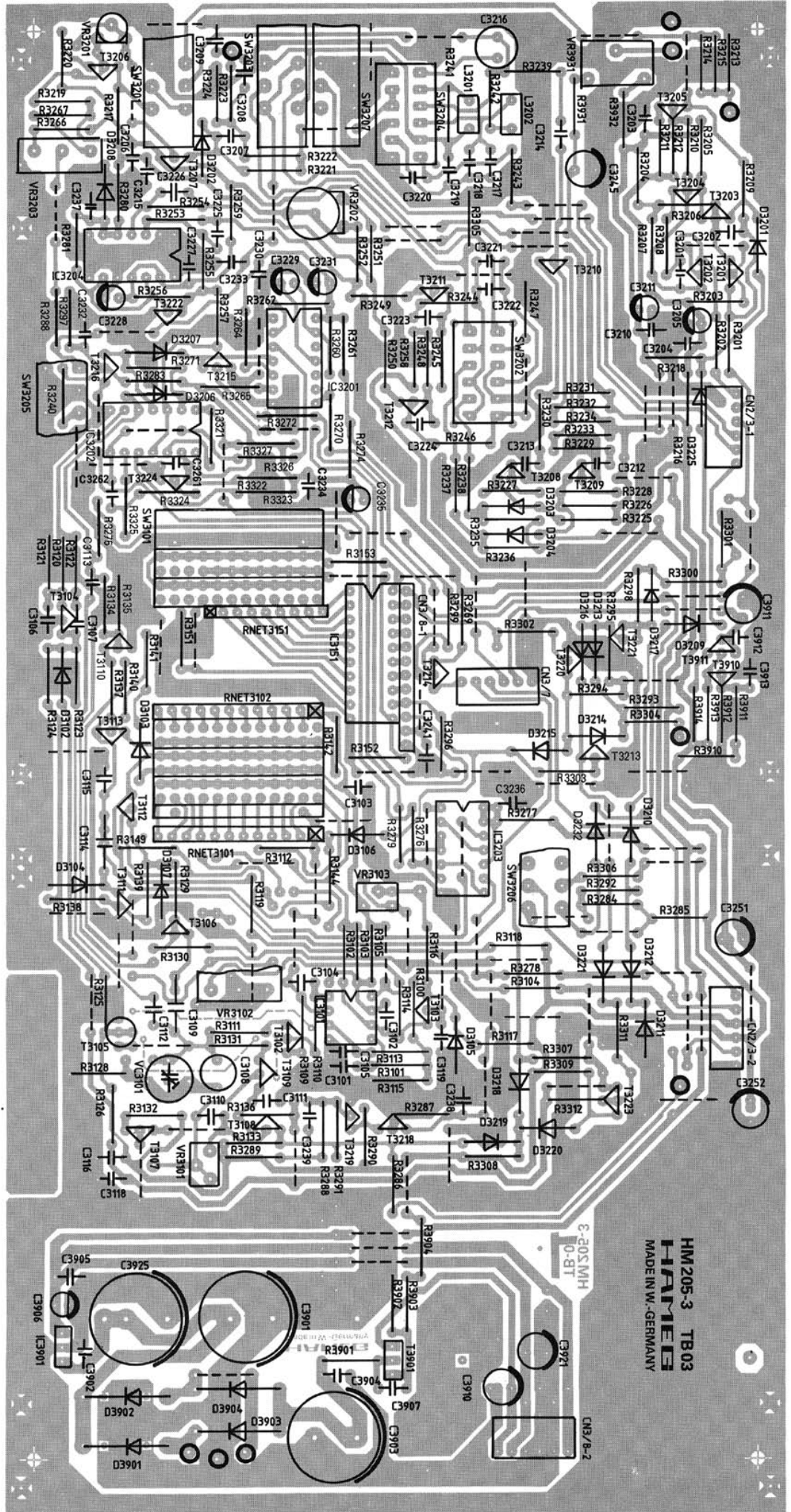


HAMEG GMBH	
D205-3	
Size	Document Number
A	HMBUS205.SCH
Date:	November 24, 1989
Sheet	10 of 10
REV	1.2



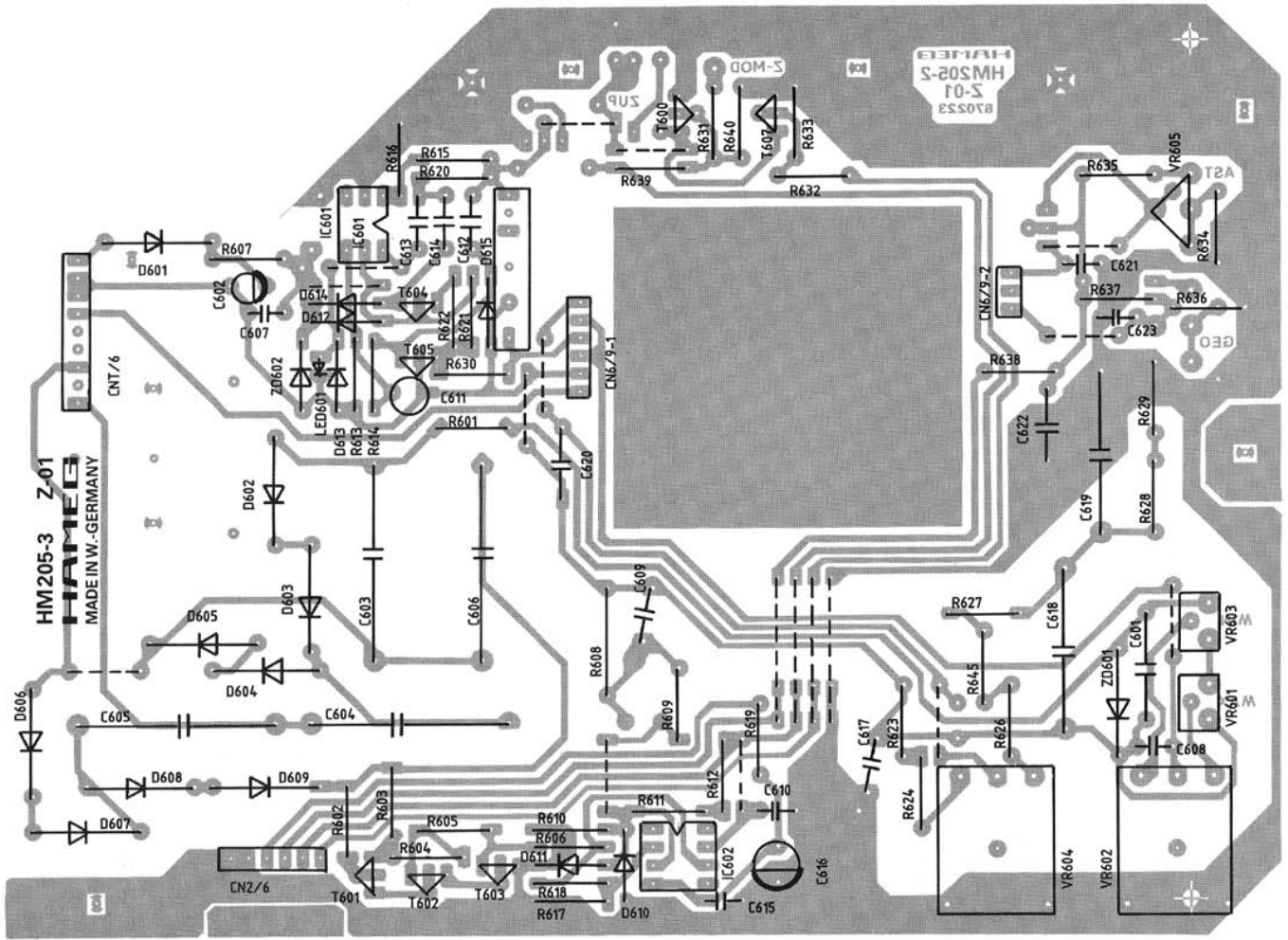
HAMEG
 Made in W.-Germany / 900717

Bestückungsplan TB-Board
Component Locations TB Board



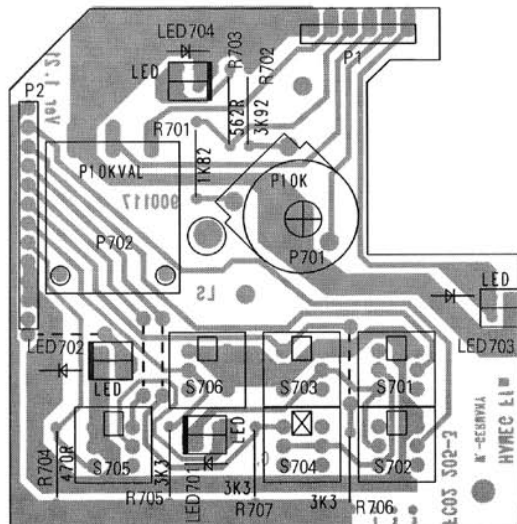
Bestückungsplan Z-Board
Component Locations Z Board

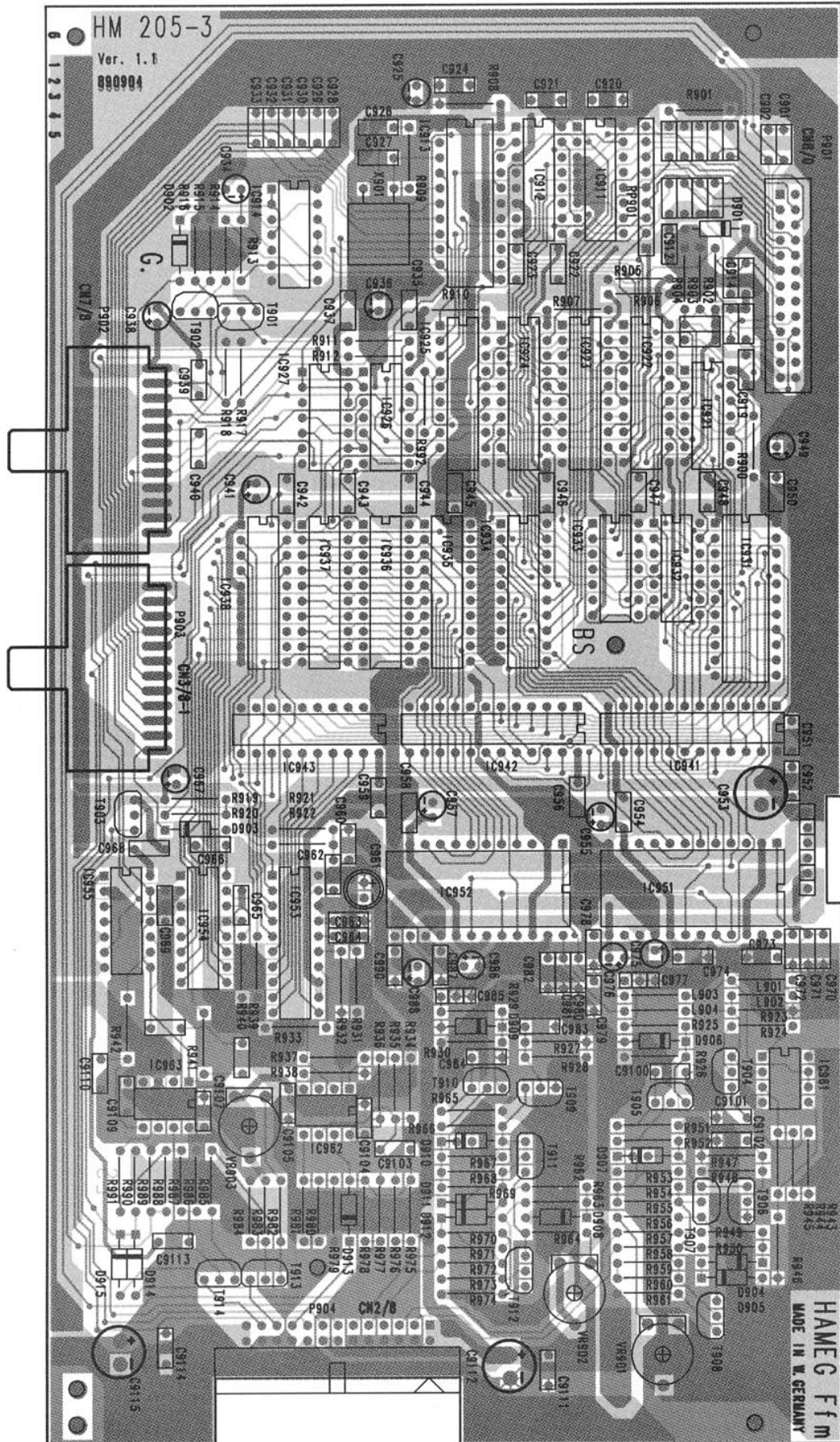
HM205-3



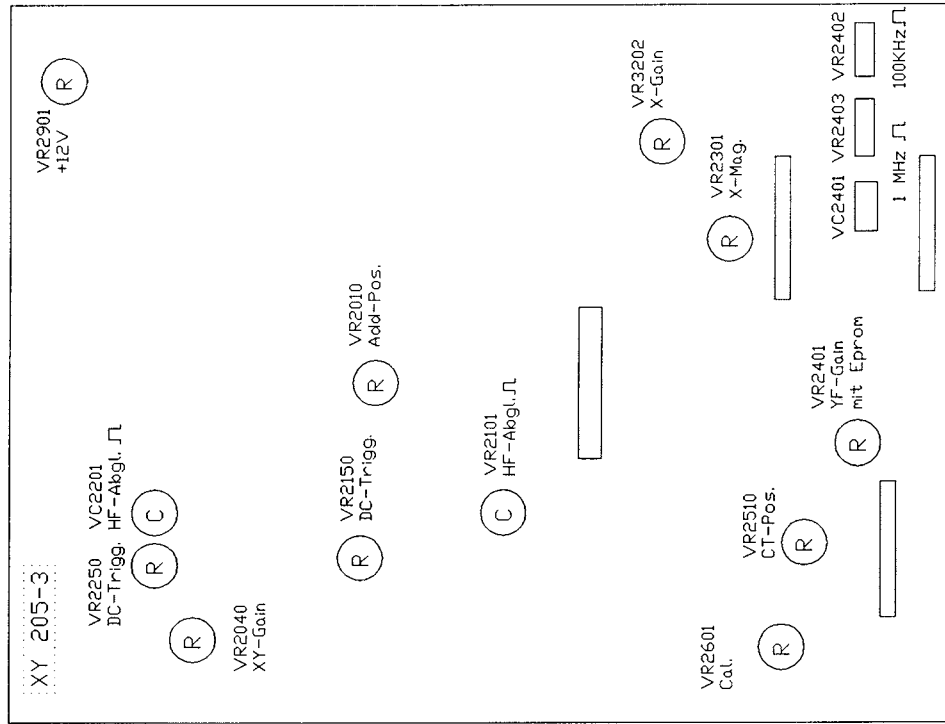
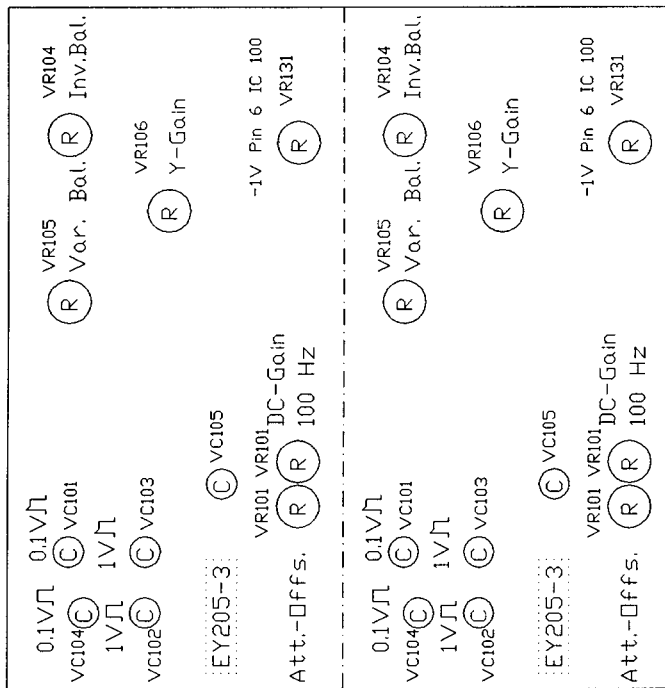
Bestückungsplan FC-Board
Component Locations FC Board

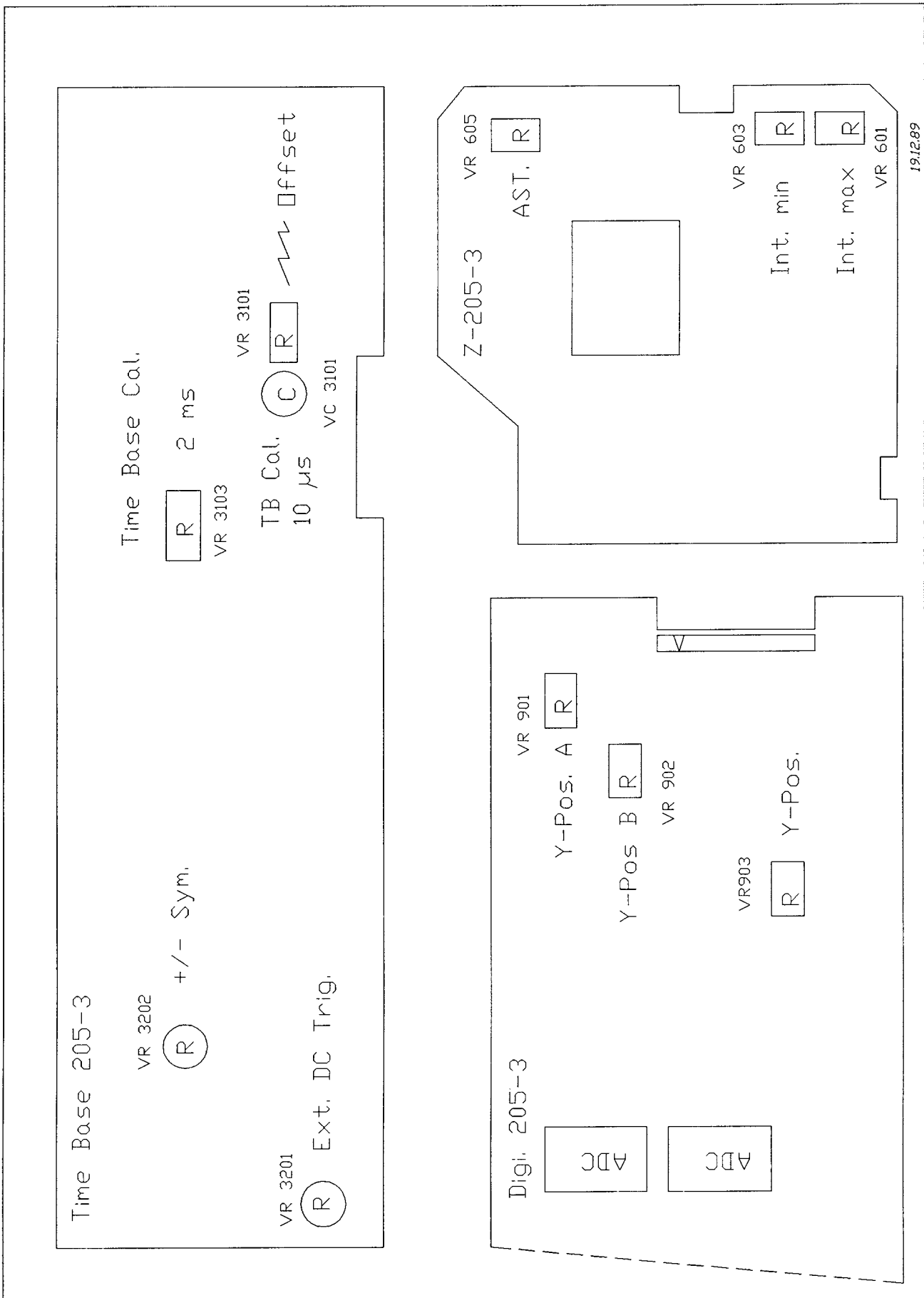
HM205-3





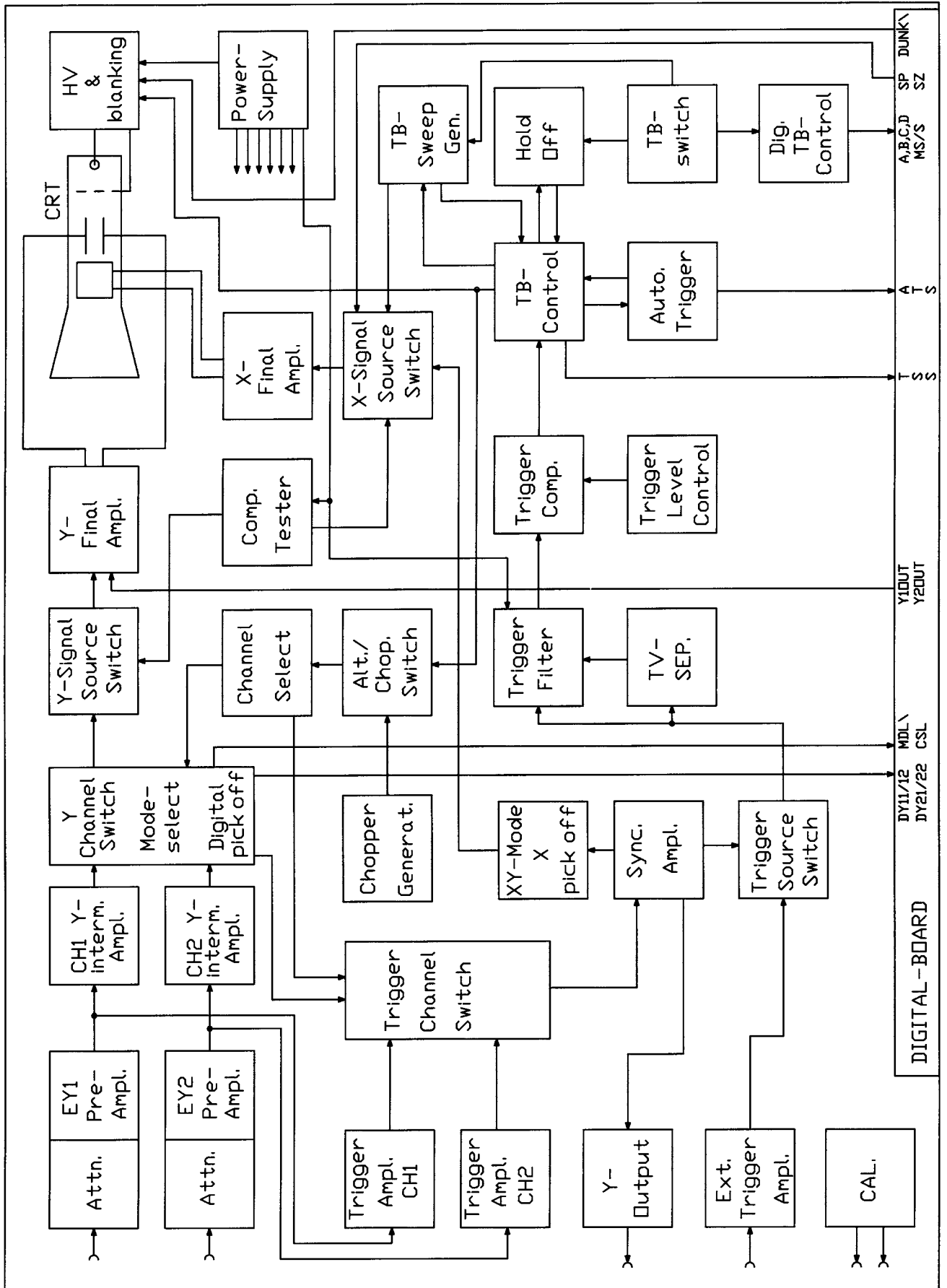
HM 205-3

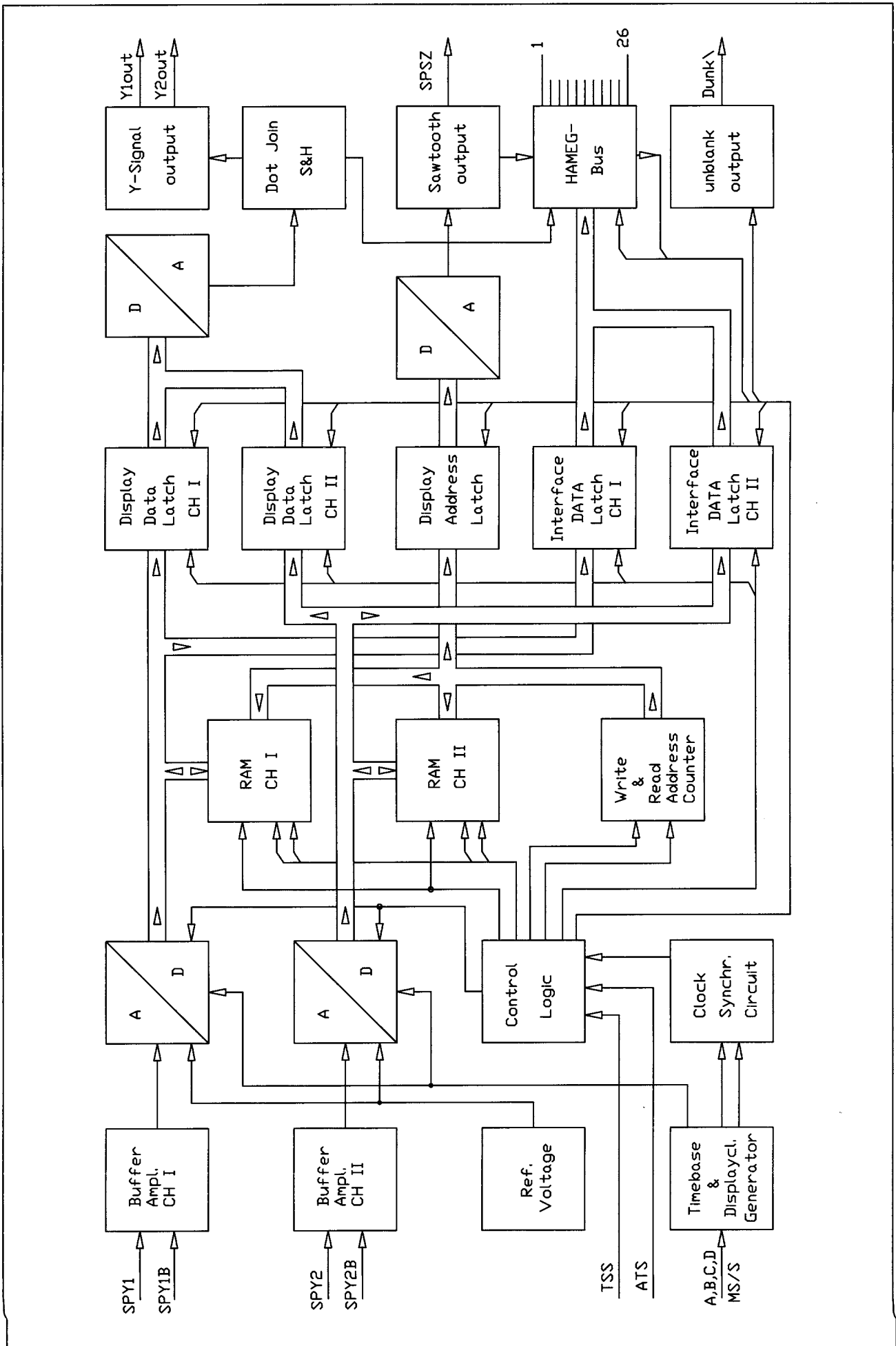




Blockschaltbild / Block Diagram (analog)

HM205-3





HAMEG

Oscilloscopes

Multimeters

Counter

Generators

**R- and LC-
Meters**

Curve Tracer

Power Supplies

**Spectrum
Analyzer**

Germany

HAMEG GmbH
Kelsterbacher Str. 15-19
60528 FRANKFURT am Main
Tel. (069) 6780510
Telefax (069) 6780513

France

HAMEG S.a.r.l
5-9, av. de la République
94800-VILLEJUIF
Tél. (1) 46778151
Telefax (1) 47263544

Spain

HAMEG S.L.
Villarroel 172-174
08036 BARCELONA
Teléf. (93) 4301597
Telefax (93) 3212201

Great Britain

HAMEG LTD
74-78 Collingdon Street
LUTON Bedfordshire LU1 1RX
Tel. (0582) 413174
Telefax (0582) 456416

United States of America

HAMEG, Inc.
1939 Plaza Real
OCEANSIDE, CA 92056
Phone (619) 630-4080
Toll-free (800) 247-1241
Telefax (619) 630-6507

HAMEG, Inc.
266 East Meadow Avenue
EAST MEADOW, NY 11554
Phone (516) 794-4080
Telefax (516) 794-1855

Hong Kong

HAMEG LTD
Flat 1, 4/F.
Crown Industrial Building
106 How Ming St., Kwun Tong
Kowloon, Hong Kong
Tel. 852-7930218
Fax: 852-7635236